

KZN HEALTH

KZN Health Intranet

Search this site

- HOME
- CORPORATE INFORMATION
- COMPONENTS
- DIRECTORY
- DISTRICT OFFICES
- HEALTH FACILITIES

KZN Health > Components > Supply Chain Management

AdvertQuote



Quotation Advert

Opening Date: 2022-01-14
Closing Date: 2022-01-28
Closing Time: 11:00

INSTITUTION DETAILS

Institution Name: Rietvlei hospital
Province: KwaZulu-Natal
Department or Entity: Department of Health
Division or section: Central Supply Chain Management
Place where goods / services is required RIETVLEI HOSPITAL
Date Submitted 2022-01-06

ITEM CATEGORY AND DETAILS

Quotation Number: ZNQ: RVH 110-09-2021-2022
Item Category: Services
Item Description: CONSTRUCTION OF ABLUTION AT UMZIMKHULU CLINIC

Quantity (if supplies)

COMPULSORY BRIEFING SESSION / SITE VISIT

Select Type: Compulsory Site Visit
Date : 2022-01-20
Time: 11H00
Venue: UMZIMKHULU CLINIC NEXT TO EMBIZWENI HALL

QUOTES CAN BE COLLECTED FROM: WILL BE ATTACHED TO ADVERT

QUOTES SHOULD BE DELIVERED TO: RIETVLEI HOSPITAL

ENQUIRIES REGARDING THE ADVERT MAY BE DIRECTED TO:

Name: MR M MBUCANE
Email: mzuvukile.mbucane@kznhealth.gov.za
Contact Number: 0736721087
Finance Manager Name: P S BIYASE

Finance Manager Signature:

No late quotes will be considered

DECLARATION OF INTEREST

1. Any legal person, including persons employed by the state¹, or persons having a kinship with persons employed by the state, including a blood relationship, may make an offer or offers in terms of this invitation to quote (includes a price quotation, advertised competitive quote, limited quote or proposal). In view of possible allegations of favouritism, should the resulting quote, or part thereof, be awarded to persons employed by the state, or to persons connected with or related to them, it is required that the bidder or his/her authorised representative declare his/her position in relation to the evaluating/adjudicating authority where-
 - the bidder is employed by the state; and/or
 - the legal person on whose behalf the bidding document is signed, has a relationship with persons/a person who are/is involved in the evaluation and or adjudication of the quote(s), or where it is known that such a relationship exists between the person or persons for or on whose behalf the declarant acts and persons who are involved with the evaluation and or adjudication of the quote.
2. In order to give effect to the above, the following questionnaire must be completed and submitted with the quote.

- | | |
|--|---|
| 2.1. Full Name of bidder/representative..... | 2.4. Company Registration Number: |
| 2.2. Identity Number: | 2.5. Tax Reference Number: |
| 2.3. Position occupied in the Company (director, trustee, shareholder?)..... | 2.6. VAT Registration Number: |

2.7. The names of all directors / trustees / shareholders / members, their individual identity numbers, tax reference numbers and, if applicable, employee / persal numbers must be indicated in paragraph 3 below.

2.8. Are you or any person connected with the bidder presently employed by the state? [TICK APPLICABLE]

2.8.1. If so, furnish the following particulars: YES NO
 Name of person / director / trustee / shareholder/ member:
 Name of state institution at which you or the person connected to the bidder is employed:.....
 Position occupied in the state institution: Any other particulars:.....

2.8.2. If you are presently employed by the state, did you obtain the appropriate authority to undertake remunerative work outside employment in the public sector? YES NO

2.8.2.1. If yes, did you attach proof of such authority to the quote document? YES NO

(Note: Failure to submit proof of such authority, where applicable, may result in the disqualification of the quote.)

2.8.2.2. If no, furnish reasons for non-submission of such proof:

2.9. Did you or your spouse, or any of the company's directors / trustees / shareholders / members or their spouses conduct business with the state in the previous twelve months? YES NO

2.9.1. If so, furnish particulars:.....

2.10. Do you, or any person connected with the bidder, have any relationship (family, friend, other) with a person employed by the state and who may be involved with the evaluation and or adjudication of this quote? YES NO

2.10.1. If so, furnish particulars:.....

2.11. Are you, or any person connected with the bidder, aware of any relationship (family, friend, other) between any other bidder and any person employed by the state who may be involved with the evaluation and or adjudication of this quote? YES NO

2.11.1. If so, furnish particulars:.....

2.12. Do you or any of the directors / trustees / shareholders / members of the company have any interest in any other related companies whether or not they are bidding for this contract? YES NO

2.12.1. If so, furnish particulars:.....

3. Full details of directors / trustees / members / shareholders.
 NB: The Department Of Health will validate details of directors / trustees / members / shareholders on CSD. It is the suppliers' responsibility to ensure that their details are up-to-date and verified on CSD. If the Department cannot validate the information on CSD, the quote will not be considered and passed over as non-compliant according to National Treasury Instruction Note 4 (a) 2016/17.

4. DECLARATION
 I, THE UNDERSIGNED (NAME).....CERTIFY THAT THE INFORMATION FURNISHED IN PARAGRAPHS 2.
 I ACCEPT THAT THE STATE MAY REJECT THE QUOTE OR ACT AGAINST ME SHOULD THIS DECLARATION PROVE TO BE FALSE.

.....
Name of bidder	Signature	Position	Date

¹State means –
 a) any national or provincial department, national or provincial public entity or constitutional institution within the meaning of the Public Finance Management Act, 1999 (Act No. 1 of 1999);
 b) any municipality or municipal entity;
 c) provincial legislature;
 d) national Assembly or the national Council of provinces; or
 e) Parliament.

²Shareholder means a person who owns shares in the company and is actively involved in the management of the enterprise or business and exercises control over the enterprise.

SPECIAL CONTRACT CONDITIONS OF QUOTATIONS

1. AMENDMENT OF CONTRACT

- 1.1. Any amendment to or renunciation of the provisions of the contract shall at all times be done in writing and shall be signed by both parties.

2. CHANGE OF ADDRESS

- 2.1. Bidders must advise the Department of Health (institution where the offer was submitted) should their address (*domicilium citandi et executandi*) details change from the time of bidding to the expiry of the contract.

3. GENERAL CONDITIONS ATTACHED TO THIS QUOTATION

- 3.1. The institution is under no obligation to accept the lowest or any quote.
- 3.2. The price quoted must include VAT (if VAT vendor). However, it must be noted that the department reserves the right to evaluate all quotations excluding VAT as some bidders may not be VAT vendors.
- 3.3. The bidder must ensure the correctness & validity of quote:
- (i) *that the price(s), rate(s) & preference quoted cover all for the work/item (s) & accept that any mistakes regarding the price (s) & calculations will be at the bidder's risk*
- 3.4. The bidder must accept full responsibility for the proper execution & fulfilment of all obligations conditions devolving on under this agreement, as the Principal (s) liable for the due fulfilment of this contract.
- 3.5. This quotation will be evaluated based on the 80/20 points system, specification & correctness of information. All required documentation must be completed in full and submitted.
- 3.6. Offers must comply strictly with the specification.
- 3.7. Only offers that meet or are greater than the specification will be considered.
- 3.8. Late quotes will not be considered.
- 3.9. Expired product/s will not be accepted. All products supplied must be valid for a minimum period of six months.
- 3.10. A bidder not registered on the Central Suppliers Database or verification has failed will not be considered.
- 3.11. All delivery costs must be included in the quote price, for delivery at the prescribed destination.
- 3.12. Only firm prices will be accepted. Such prices must remain firm for the contract period. Non-firm prices (including rates of exchange variations) will not be considered.
- 3.13. In cases where different delivery points influence the pricing, a separate pricing schedule must be submitted for each delivery point.
- 3.14. In the event of a bidder having multiple quotes, only the cheapest according to specification will be considered. Furthermore a verification will be done to identify if bidders have multiple companies and are quoting (cover-quoting) for this bid. In such instances only the cheapest bid according to specification will be considered.

4. SPECIAL INSTRUCTIONS AND NOTICES TO BIDDERS REGARDING THE COMPLETION OF THIS QUOTATION.

- 4.1. Unless inconsistent with or expressly indicated otherwise by the context, the singular shall include the plural and vice versa and with words importing the masculine gender shall include the feminine and the neuter.
- 4.2. Under no circumstances whatsoever may the quotation/bid forms be retyped or redrafted. Photocopies of the original bid documentation may be used, but an original signature must appear on such photocopies.
- 4.3. The bidder is advised to check the number of pages and to satisfy himself that none are missing or duplicated.
- 4.4. Quotation submitted must be complete in all respects.
- 4.5. Any alteration made by the bidder must be initialled.
- 4.6. Use of correcting fluid is prohibited
- 4.7. Quotation will be opened in public as soon as practicable after the closing time of quotation.
- 4.8. Where practical, prices are made public at the time of opening quotations.
- 4.9. If it is desired to make more than one offer against any individual item, such offers should be given on a photocopy of the page in question. Clear indication thereof must be stated on the schedules attached.

5. SPECIAL INSTRUCTIONS REGARDING HAND DELIVERED QUOTATIONS

- 5.1. Quotation shall be lodged at the address indicated not later than the closing time specified for their receipt, and in accordance with the directives in the quotation documents.
- 5.2. Each quotation shall be addressed in accordance with the directives in the quotation documents and shall be lodged in a separate sealed envelope, with the name and address of the bidder, the quotation number and closing date indicated on the envelope. The envelope shall not contain documents relating to any quotation other than that shown on the envelope. If this provision is not complied with, such quotations/bids may be rejected as being invalid.
- 5.3. All quotations received in sealed envelopes with the relevant quotation numbers on the envelopes are kept unopened in safe custody until the closing time of the quotation/bids. Where, however, a quotation is received open, it shall be sealed. If it is received without a quotation/bid number on the envelope, it shall be opened, the quotation number ascertained, the envelope sealed and the quotation number written on the envelope.
- 5.4. A specific box is provided for the receipt of quotations, and no quotation found in any other box or elsewhere subsequent to the closing date and time of quotation will be considered.

- 5.5. No quotation/bid sent through the post will be considered if it is received after the closing date and time stipulated in the quotation documentation, and proof of posting will not be accepted as proof of delivery.
- 5.6. Quotation documents must not be included in packages containing samples. Such quotations may be rejected as being invalid.

6. SAMPLES

- 6.1. In the case of the quote document stipulating that samples are required, the supplier will be informed in due course when samples should be provided to the institution. (This decreases the time of safety and storage risk that may be incurred by the respective institution). The bidders sample will be retained if such bidder wins the contract.
- (i) If a company/s who has not won the quote requires their samples, they must advise the institution in writing of such.
- (ii) If samples are not collected within three months of close of quote the institution reserves the right to dispose of them at their discretion.
- 6.2. **Samples must be made available when requested in writing or if stipulated on the document.**
- (i) If a Bidder fails to provide a sample of their product on offer for scrutiny against the set specification when requested, their offer will be rejected. All testing will be for the account of the bidder.

7. COMPULSORY SITE INSPECTION / BRIEFING SESSION

- 7.1. Bidders who fail to attend the compulsory meeting will be disqualified from the evaluation process.

- (i) The institution has determined that a compulsory site meeting take place
- (ii) Date ____/____/____ Time ____:____ Place Rietvlei Hospital

Institution Stamp:	Institution Site Inspection / briefing session Official Full Name: Signature: Date:
--------------------	--

8. STATEMENT OF SUPPLIES AND SERVICES

- 8.1. The contractor shall, when requested to do so, furnish particulars of supplies delivered or services executed. If he/she fails to do so, the Department may, without prejudice to any other rights which it may have, institute inquiries at the expense of the contractor to obtain the required particulars.

9. SUBMISSION AND COMPLETION OF SBD 6.1

- 9.1. Should a bidder wish to qualify for preference points they must complete a SBD 6.1 document. Failure by a bidder to provide all relevant information required, will result in such a bidder not being considered for preference point's allocation. The preferences applicable on the closing date will be utilized. Any changes after the closing date will not be considered for that particular quote.

10. TAX COMPLIANCE REQUIREMENTS

- 10.1. In the event that the tax compliance status has failed on CSD, **it is the suppliers' responsibility to provide a SARS pin in order for the institution to validate the tax compliance status of the supplier.**
- 10.2. In the event that the institution cannot validate the suppliers' tax clearance on SARS as well as the Central Suppliers Database, **the quote will not be considered and passed over as non-compliant according to National Treasury Instruction Note 4 (a) 2016/17.**

11. TAX INVOICE

- 11.1. A tax invoice shall be in the currency of the Republic of South Africa and shall contain the following particulars:

- | | |
|---|---|
| (i) the name, address and registration number of the supplier;
(ii) the name and address of the recipient;
(iii) an individual serialized number and the date upon which the tax invoice is issued; | (iv) a description and quantity or volume of the goods or services supplied;
(v) the official department order number issued to the supplier;
(vi) the value of the supply, the amount of tax charged;
(vii) the words tax invoice in a prominent place. |
|---|---|

12. PATENT RIGHTS

The supplier shall indemnify the **KZN Department of Health** (hereafter known as the purchaser) against all third-party claims of infringement of patent, trademark, or industrial design rights arising from use of the goods or any part thereof by the purchaser.

13. PENALTIES

- 13.1. If at any time during the contract period, the service provider is unable to perform in a timely manner, the service provider must notify the institution in writing/email of the cause of and the duration of the delay. Upon receipt of the notification, the institution should evaluate the circumstances and, if deemed necessary, the institution may extend the service provider's time for performance.
- 13.2. In the event of delayed performance that extends beyond the delivery period, the institution is entitled to purchase commodities of a similar quantity and quality as a substitution for the outstanding commodities, without terminating the contract, as well as return commodities delivered at a later stage at the service provider's expense.
- 13.3. Alternatively, the institution may elect to terminate the contract and procure the necessary commodities in order to complete the contract. In the event that the contract is terminated the institution may claim damages from the service provider in the form of a penalty. The service provider's performance should be captured on the service provider database in order to determine whether or not the service provider should be awarded any contracts in the future.
- 13.4. If the supplier fails to deliver any or all of the goods or to perform the services within the period(s) specified in the contract, the purchaser shall, without prejudice to its other remedies under the contract, deduct from the contract price, as a penalty, a sum calculated on the delivered price of the delayed goods or unperformed services using the current prime interest rate calculated for each day of the delay until actual delivery or performance.

14. TERMINATION FOR DEFAULT

- 14.1. The purchaser, without prejudice to any other remedy for breach of contract, by written notice of default sent to the supplier, may terminate this contract in whole or in part:
 - (i) if the supplier fails to deliver any or all of the goods within the period(s) specified in the contract,
 - (ii) if the supplier fails to perform any other obligation(s) under the contract; or
 - (iii) if the supplier, in the judgment of the purchaser, has engaged in corrupt or fraudulent practices in competing for or in executing the contract.
 - 14.2. In the event the purchaser terminates the contract in whole or in part, the purchaser may procure, upon such terms and in such manner as it deems appropriate, goods, works or services similar to those undelivered, and the supplier shall be liable to the purchaser for any excess costs for such similar goods, works or services.
 - 14.3. Where the purchaser terminates the contract in whole or in part, the purchaser may decide to impose a restriction penalty on the supplier by prohibiting such supplier from doing business with the public sector for a period not exceeding 10 years.
15. FAILURE TO COMPLY WITH ABOVE WILL RESULT IN YOUR QUOTE BEING PASSED OVER.

PREFERENCE POINTS CLAIM FORM IN TERMS OF THE PREFERENTIAL PROCUREMENT REGULATIONS 2017

This preference form must form part of all quotes invited. It contains general information and serves as a claim form for preference points for Broad-Based Black Economic Empowerment (B-BBEE) Status Level of Contribution

NB: BEFORE COMPLETING THIS FORM, BIDDERS MUST STUDY THE GENERAL CONDITIONS, DEFINITIONS AND DIRECTIVES APPLICABLE IN RESPECT OF B-BBEE, AS PRESCRIBED IN THE PREFERENTIAL PROCUREMENT REGULATIONS, 2017.

1. GENERAL CONDITIONS

1.1 The following preference point systems are applicable to all quotes:

- the 80/20 system for requirements with a Rand value of up to R50 000 000 (all applicable taxes included); and

1.2 The value of this quote is estimated to not exceed R50 000 000 (all applicable taxes included) and therefore the 80/20 preference point system shall be applicable.

1.3 Points for this quote shall be awarded for:

- (a) Price; and
- (b) B-BBEE Status Level of Contributor.

1.4 The maximum points for this quote is allocated as follows:

	POINTS
PRICE	80
B-BBEE STATUS LEVEL OF CONTRIBUTOR	20
Total points for Price and B-BBEE must not exceed	100

1.5 Failure on the part of a bidder to submit proof of B-BBEE Status level of contributor together with the quote, will be interpreted to mean that preference points for B-BBEE status level of contribution are not claimed.

1.6 The purchaser reserves the right to require of a bidder, either before a quote is adjudicated or at any time subsequently, to substantiate any claim in regard to preferences, in any manner required by the purchaser.

2. DEFINITIONS

- (a) **"B-BBEE"** means broad-based black economic empowerment as defined in section 1 of the Broad-Based Black Economic Empowerment Act;
- (b) **"B-BBEE status level of contributor"** means the B-BBEE status of an entity in terms of a code of good practice on black economic empowerment, issued in terms of section 9(1) of the Broad-Based Black Economic Empowerment Act;
- (c) **"bid"** means a written offer in a prescribed or stipulated form in response to an invitation by an organ of state for the provision of goods or services, through price quotations, advertised competitive bidding processes or proposals;
- (d) **"Broad-Based Black Economic Empowerment Act"** means the Broad-Based Black Economic Empowerment Act, 2003 (Act No. 53 of 2003);
- (e) **"EME"** means an Exempted Micro Enterprise in terms of a code of good practice on black economic empowerment issued in terms of section 9 (1) of the Broad-Based Black Economic Empowerment Act;
- (f) **"functionality"** means the ability of a tenderer to provide goods or services in accordance with specifications as set out in the tender documents.
- (g) **"prices"** includes all applicable taxes less all unconditional discounts;
- (h) **"proof of B-BBEE status level of contributor"** means:
 - 1) B-BBEE Status level certificate issued by an authorized body or person;
 - 2) A sworn affidavit as prescribed by the B-BBEE Codes of Good Practice;
 - 3) Any other requirement prescribed in terms of the B-BBEE Act;
- (i) **"QSE"** means a qualifying small business enterprise in terms of a code of good practice on black economic empowerment issued in terms of section 9 (1) of the Broad-Based Black Economic Empowerment Act;
- (j) **"rand value"** means the total estimated value of a contract in Rand, calculated at the time of bid invitation, and includes all applicable taxes;

3. POINTS AWARDED FOR PRICE

3.1 THE 80/20 PREFERENCE POINT SYSTEMS

A maximum of 80 points is allocated for price on the following basis:

$$P_s = 80 \left(1 - \frac{P_t - P_{\min}}{P_{\min}} \right) \text{ Where}$$

- P_s = Points scored for price of bid under consideration
- P_t = Price of bid under consideration
- P_{min} = Price of lowest acceptable bid

4. POINTS AWARDED FOR B-BBEE STATUS LEVEL OF CONTRIBUTOR

4.1 In terms of Regulation 6 (2) and 7 (2) of the Preferential Procurement Regulations, preference points must be awarded to a bidder for attaining the B-BBEE status level of contribution in accordance with the table below:

B-BBEE Status Level of Contributor	Number of points (80/20 system)
1	20
2	18
3	14
4	12
5	8
6	6
7	4
8	2
Non-compliant contributor	0

5. BID DECLARATION

5.1 Bidders who claim points in respect of B-BBEE Status Level of Contribution must complete the following:

6. B-BBEE STATUS LEVEL OF CONTRIBUTOR CLAIMED IN TERMS OF PARAGRAPHS 1.4 AND 4.1

6.1 B-BBEE Status Level of Contributor: =(maximum of 20 points)

(Points claimed in respect of paragraph 7.1 must be in accordance with the table reflected in paragraph 4.1 and must be substantiated by relevant proof of B-BBEE status level of contributor.

7. SUB-CONTRACTING

(Tick applicable box)

7.1 Will any portion of the contract be sub-contracted?

YES	NO	
-----	----	--

7.1.1 If yes, indicate:

- i) What percentage of the contract will be subcontracted.....%
- ii) The name of the sub-contractor.....
- iii) The B-BBEE status level of the sub-contractor.....

8. Whether the sub-contractor is an EME or QSE

(Tick applicable box)

iv) Specify, by ticking the appropriate box, if subcontracting with an enterprise in terms of Preferential Procurement Regulations, 2017:

YES	NO	
-----	----	--

Designated Group: An EME or QSE which is at least 51% owned by:	EME	QSE
Black people	√	√
Black people who are youth		
Black people who are women		
Black people with disabilities		
Black people living in rural or underdeveloped areas or townships		
Cooperative owned by black people		
Black people who are military veterans		
OR		
Any EME		
Any QSE		

9. DECLARATION WITH REGARD TO COMPANY/FIRM

9.1 Name of company/firm:.....

9.2 VAT registration number:.....

9.3 Company registration number:.....

9.4 TYPE OF COMPANY/ FIRM [TICK APPLICABLE BOX]

- Partnership/Joint Venture / Consortium
- One person business/sole propriety
- Close corporation
- Company
- (Pty) Limited

9.5 DESCRIBE PRINCIPAL BUSINESS ACTIVITIES

.....
.....

9.6 COMPANY CLASSIFICATION [TICK APPLICABLE BOX]

- Manufacturer
- Supplier
- Professional service provider
- Other service providers, e.g. transporter, etc.

9.7 Total number of years the company/firm has been in business:.....

9.8 I/we, the undersigned, who is / are duly authorised to do so on behalf of the company/firm, certify that the points claimed, based on the B-BBE status level of contributor indicated in paragraphs 1.4 and 6.1 of the foregoing certificate, qualifies the company/ firm for the preference(s) shown and I / we acknowledge that:

- i) The information furnished is true and correct;
- ii) The preference points claimed are in accordance with the General Conditions as indicated in paragraph 1 of this form;
- iii) In the event of a contract being awarded as a result of points claimed as shown in paragraphs 1.4 and 6.1, the contractor may be required to furnish documentary proof to the satisfaction of the purchaser that the claims are correct;
- iv) If the B-BBEE status level of contributor has been claimed or obtained on a fraudulent basis or any of the conditions of contract have not been fulfilled, the purchaser may, in addition to any other remedy it may have –
 - (a) disqualify the person from the bidding process;
 - (b) recover costs, losses or damages it has incurred or suffered as a result of that person's conduct;
 - (c) cancel the contract and claim any damages which it has suffered as a result of having to make less favourable arrangements due to such cancellation;
 - (d) recommend that the bidder or contractor, its shareholders and directors, or only the shareholders and directors who acted on a fraudulent basis, be restricted by the National Treasury from obtaining business from any organ of state for a period not exceeding 10 years, after the *audi alteram partem* (hear the other side) rule has been applied; and
 - (e) forward the matter for criminal prosecution.

WITNESSES	
1.
2.

..... SIGNATURE(S) OF BIDDERS(S)
DATE:
ADDRESS.....

+ PROVINCE OF KWAZULU-NATAL
DEPARTMENT OF HEALTH
TECHNICAL SPECIFICATIONS

CONSTRUCTION OF ABLUTIONS AT UMZIMKULU CLINIC

GRADING: 1 GB or 1CE and Above

ZNQ

CIDB COMPLIANCE

**Amendments: Functionality in different contracting strategies
 In line with regulation 4.3.3 of the CIDB regulations, where
 Functionality is evaluated, at least three persons who are fully
 Conversant with the technical aspects of the scope of works shall
 Undertake such evaluation.**

1. TECHNICAL SPECIFICATION

1.1 GENERAL

This TECHNICAL SPECIFICATION shall be read in conjunction with all other sections of the SPECIFICATION and cognisance shall be taken of the clauses relevant to this particular installation, whether any specific clauses are referred to or not.

SCHEDULE OF RATES

2.1 ITEMS AND PRICING

The Department reserves the right to place an order for any quantities of items included in the Schedules. The Schedule of Rates must also not be assumed to include and describe every detail of the supply requirement, but must be taken and read in conjunction with the other parts of the document. Thus the supplier shall not have claim for further payment in respect of any order which may be described or implied in the contract, although apparently no corresponding items are given in the Schedule of Rates. The supplier shall be deemed to have satisfied himself before quoting as to the correctness and sufficiency of his quote for the contract and of the rates and prices stated in the Schedule of Rates.

2.2 TAX AND DUTIES

Prices, quoted and paid, must include all customs, excise and import duties, and any other tariffs or taxes levied by the government or statutory body having jurisdiction on the goods provided under this contract, including Value Added Tax (applicable to the current rate).

2.3 RATES

Except where provision is made in the Schedule of Rates, the rates and prices inserted shall be the full rates and prices for the service delivered described under the respective items and shall cover all labour, transport, overhead charges and profit, etc. as well as the general liabilities, obligations and risks arising out of the Conditions of Contract, the overhead charges and profit being spread proportionately over the rates of the relative items in the Schedule of Rates.

CONSTRUCTION OF ABLUTIONS AT UMZIMKULU CLINIC

SCHEDULE OF RATES ZNQ:

INSTITUTION: UMZIMKULU CLINIC

WORK TO BE DONE AS PER SCHEDULE OF PRICES:

DESCRIPTION : CONSTRUCTION OF ABLUTIONS AT UMZIMKULU CLINIC

NOTE:

All rates for items contained in this Schedule of Prices must be computed **excluding** the applicable Value Added Tax.

The Administration reserves the right to Negotiate prices in the quotation

The work has to be approved by District Engineer before processing the payment.

Site briefing to be held.

SERVICE: CONSTRUCTION OF 3 X PATIENT ABLUTIONS

All rates quoted shall be inclusive of transport, labor and profit.

The bidders are advised that the above service to be finished within **one month** from the day of the official order.

The bidder must familiarize them self with the nature of work before they do pricing.

No.	Description	Unit	Quantity	Rate	Total
-----	-------------	------	----------	------	-------

SITE CLEARANCE: —The item given in the Bills of Quantities for site clearance shall be deemed to include the removal from the site, or burning if permitted by the Local Authority, of shrubs and trees with trunks under 200mm girth measured at 1m above ground level, STANDARD PREAMBLES TO ALL TRADES 3 Rev 3 January 2009 hedges, bushes, other vegetation, rubbish and debris. Holes left by roots are to be backfilled with earth and rammed.

1.	Using appropriate tools, clear site by removing all unwanted shrubs, vegetation, trees etc. Stok pile in area identified for later disposal	Item	1		
----	---	------	---	--	--

EXCAVATIONS: — Rates for excavations are to include for forming and trimming to the correct levels, falls, slopes, curves, etc. for trimming sides, stepping, levelling and ramming bottoms, staging and disposing of the excavated material as described in the items. Rates for excavations to reduce levels over site are also to include for forming and trimming banks to the required batter. The Contractor is to allow in his rates for the bulking of excavated material. The term “excavate”, unless otherwise stated, shall mean excavate in “soft excavation” as defined below and for the purpose of classifying excavations the following will apply: — a) Soft excavation: — shall be excavation in material that can be efficiently removed by a back-acting excavator of flywheel power approximately 0, 10 kW per millimeter of tined-bucket width without the assistance of pneumatic tools such as paving breakers, or that can be efficiently loaded without prior ripping or stockpiling by a rubber tired front-end loader of approximately 15t mass and a flywheel power of approximately 100 kW. b) Intermediate excavation: — shall be excavation in material that requires a back acting excavator of flywheel power exceeding 0,10kW per millimeter of tined-bucket width and the assistance of pneumatic tools prior to removal by equipment equivalent to that specified in (a) above. c) Hard rock excavation: — shall be excavation in material that cannot be efficiently removed without blasting or without wedging and splitting prior to removal. d) Class A Boulder excavation: — shall be excavation in material containing more than 40% by volume of boulders of size between 0.03m³ and 20m³ in a matrix of softer material or smaller boulders. Note: — Excavation of solid boulders or lumps of size exceeding 20m³ will be classed as hard rock excavation. (2) Excavation of fissured or fractured rock will not be classed as boulder excavation but as hard rock or intermediate excavation according to the nature of the material. e) Class B Boulder excavation: — shall be excavation of boulders only in a material containing 40% or less by volume of boulders of size between 0.03m³ and 20m³ in a matrix of softer material or

CONSTRUCTION OF ABLUTIONS AT UMZIMKULU CLINIC

smaller boulders. Note: — Those boulders requiring individual drilling and blasting in order to be loaded by a back-acting excavator as specified in (a) above, or by a track type frontend loader, will each be separately measured as Class B boulder excavation. The excavation of the rest of the material will be classed as soft or intermediate excavation according to the nature of the material. Method of Classifying: — The Contractor may use any method h

2.	Using appropriate tool, excavate trench for concrete footing. Dimensions of trench are as follows 400 mm width x 350mm depth,	m	16.44		
----	---	---	-------	--	--

CONCRETE, FORMWORK AND REINFORCEMENT

GENERAL: — This specification applies to concrete work formed into its final shape and position in-situ. All concrete and formwork shall be carried out in accordance with SANS Specification 1200 G — Concrete (Structural) (a copy of which the Contractor will be required to keep on the site so that it can be referred to at all times during the Contract), with the following amplifications and amendments: — **INTERPRETATIONS:** — Clauses 2.1 and 2.2 of SANS Specification 1200G refer. This preamble, together with any other supplementary preambles appearing in these Bills of Quantities shall be deemed to be the project specification and are the “Portion 2” referred to in Clause 2.2. **DEFINITIONS:** — Clause 2.3 of SANS Specification 1200 G refers. All references to the Engineer shall be deemed to mean the Department. **MATERIALS** Cement: — unless otherwise specified, shall be one or more of the following and shall, in each case, comply with the requirements of the relevant standard specification: — Portland cement and rapid-hardening cement to SANS 471 Specification Portland blast-furnace cement to SANS Specification 626. Portland cements 15 to SANS Specification 831. Nevertheless, no cement other than ordinary Portland cement shall be used without the approval of the Department. Cement containing more than 15% blast-furnace slag will not be permitted in columns or in members less than 50mm thick. In addition (for the abovementioned items) where Ordinary Portland cement is used, blast furnace slag (from separate containers) must not be added in any proportion whatsoever. No mixing of two different types of cement in the same batch will be allowed, and unless otherwise approved by the Department, the same brand and type shall be used in all exposed concrete. **STANDARD PREAMBLES TO ALL TRADES 9 Rev 3 January 2009** Lumpy cement, broken sacks and sweepings shall not be used. Cement supplied in sacks shall be used in the order in which it was delivered and shall not be kept in storage for longer than six (6) weeks without the approval of the Department. **Water:** — Shall be clean and free from injurious amounts of acids, alkalis, sugar, organic. **Water:** — Shall be clean and free from injurious amounts of acids, alkalis, sugar, organic matter and other substances that could impair the strength or durability of the concrete. If so required by the Department, the suitability of the water shall be proved by tests carried out by an approved laboratory. **Aggregates:** — Unless otherwise specified both the coarse aggregate (stone) and the fine aggregate (sand) shall comply with the requirements of SANS Specification 1083. The Contractor is to prove compliance by means of either a certificate from the supplier or by grading analysis tests. **Admixtures:** — i.e. materials other than cement, aggregate and water shall not be used in the concrete mix without the approval of the Department. The onus for proof of satisfaction to the Department for any admixture proposed shall be with Contractor. **Reinforcement:** — for concrete shall be as specified and shall, in each case, comply with one of the following: — a) Type A hot rolled mild steel bars of plain round cross section to SANS Specification 920 b) Type C Class 2 hot rolled high yield stress Grade 1 deformed bars to SANS Specification 920 c) Type D Grade 1 cold worked deformed bars to SANS Specification 920. d) Welded steel fabric to SANS Specification 1024 manufactured from plain hard-drawn mild steel wire. A sample reinforcing rod, approximately 600mm long, may be taken from each consignment of rods of similar diameter, for testing. If any sample is found unsatisfactory the whole consignment of rods from which the sample was taken will be rejected. No substitution of the bars specified shall be made without the prior approval of the Department. **REINFORCEMENT Bending:** — Reinforcing bars shall be cut and bent according.

3.	As per the above specification, pour concrete for sub structure footings in all the trenches.	3 m	3.0		
----	---	--------	-----	--	--

Brickwork Generally: — Rates for brickwork are to include for hacking the face, or raking out the joints, of brickwork where necessary to form key for plaster, etc. and for plumbing angles and surfaces, all square cutting, wedging and pinning against columns, beams, slabs, etc. for all waste in cutting and wire ties required in tying skins together as described. Rates for hollow walls are to include in addition to the above for keeping the cavities clean and free of mortar droppings and for butterfly type wall ties, all as described. Where items are described as cut and pinned, built in, bedded, wedged and pinned, etc. rates are to include for grouting in or bedding solid with

CONSTRUCTION OF ABLUTIONS AT UMZIMKULU CLINIC

1:3 cement mortar, unless otherwise stated. Where window units, etc. are described for building in as composite, rates are to include for assembling of units as required and, unless otherwise described, for tap screwing to coupling mullions or transoms, including holes: Faced Brickwork, etc.: — Rates for all fair and faced brickwork, brick paving, grille block walls and the like are to include in addition to the foregoing for building or laying to true surfaces and angles, all fair square cutting and fitting and cleaning down to approval at STANDARD PREAMBLES TO ALL TRADES 27 Rev 3 January 2009 completion. Rates for brick sills, copings, steps, margins, thresholds and the like shall include for fair ends and angles unless different bricks or tiles are used or special cutting is required. Rates for items described as “Extra over ordinary brickwork” are to be for the extra cost of the facing bricks specified over common brickwork built in stretcher bond, and are to include for building in cement mortar consisting of one part cement to five parts clean washed sand and for pointing as described. Rates for items described as “Labor and Material” are to be for the full cost of the facing bricks specified, and otherwise as above described. Rates for all cut face brick linings are to include for cutting and bonding at ends. BRICKS FOR FOUNDATIONS: — are to be as above but extra hard burnt bricks. Reject facing bricks may be used in lieu of extra hard burnt foundation bricks provided they are equal to a sample to be submitted to and approved by the Department. These bricks are also to be used for septic tank walls. BRICKWORK: — unless otherwise described is to be in burnt clay common bricks and wherever practicable is to be in stretcher bond with the skins tied together with and including galvanized crimped wire wall ties in accordance with SANS Specification 28. The wire ties are to be of sufficient length to allow each end to be built into brickwork built into every fourth course and spaced at 450mm staggered centers (seven ties per square meter). The bricks are to be well wetted before being laid and the course of bricks laid last is to be well wetted before bedding the next course of bricks upon it. The brickwork is to have all perpend flushed up solid and each course is to be laid on a solid bed of mortar. No false headers are to be used. Whole bricks are to be used except where bats or closers are legitimately required to form bond. Unless otherwise described one brick walls are taken at a nominal thickness of 230mm. STANDARD PREAMBLES TO ALL TRADES 25 Rev 3 January 2009 The joints of all walls to be plastered are to be raked out as the work proceeds to form key for plaster. All walls are to be carried up regularly so that no part is built more than 1,2m higher than the adjoining walls. Mortar joints generally are not to exceed 10mm thickness unless otherwise indicated on the drawings. If a specific brick scale is indicated on the drawings, either drawn or written, it must be adhered to. Solid bricks to X-Ray Room walls are to be used. If hollow core bricks are used, these are to be grouted up solid.

4.	Using solid bricks or burnt bricks or bricks approved by department in line with the above, construct substructure walls in line with all building regulations.	2 m	8.22		
----	---	--------	------	--	--

COMPACTION OF FILLING ETC.: — All filling and backfilling is to be done in layers not exceeding 200mm thick before compaction, with the layers level to ensure uniform compaction. Each layer is to be thoroughly compacted over the whole of the area to a dry density not less than 90% of Mod. A.A.S.H.O. density. The surface of each compacted layer shall be uniform and tightly bonded. Care is to be taken that no damage is done to foundation walls, drains and other services. The densities of compaction referred to are to be determined by tests carried out in accordance with A.S.T.M. Designation D 1557-58 and at an optimum moisture content of not more or less than 5% of the required Mod. A.A.S.H.O. The Contractor shall be responsible for having sufficient tests taken of the density of the compacted filling to ensure that the required compaction is being attained to the satisfaction of the Department. These tests are to be undertaken by an independent testing authority nominated by the Contractor to the approval of the Department. The costs of all tests in this connection shall be borne by the Contractor and shall be allowed for in his rates. **PROTECTION AGAINST SUBTERRANEAN WOOD-DEST.**

5.	Service provider to allow for backfilling using mechanical operated machine to ensure proper compaction. Hand held compaction method will not be allowed.	2 m	19		
----	---	--------	----	--	--

CONCRETE, FORMWORK AND REINFORCEMENT GENERAL: — This specification applies to concrete work formed into its final shape and position in-situ. All concrete and formwork shall be carried out in accordance with SANS Specification 1200 G — Concrete (Structural) (a copy of which the Contractor will be required to keep on the site so that it can be referred to at all times during the Contract), with the following amplifications and amendments: — **INTERPRETATIONS:** — Clauses 2.1 and 2.2 of SANS Specification

CONSTRUCTION OF ABLUTIONS AT UMZIMKULU CLINIC

1200G refer. This preamble, together with any other supplementary preambles appearing in these Bills of Quantities shall be deemed to be the project specification and are the "Portion 2" referred to in Clause 2.2.

DEFINITIONS: — Clause 2.3 of SANS Specification 1200 G refers. All references to the Engineer shall be deemed to mean the Department.

MATERIALS Cement: — unless otherwise specified, shall be one or more of the following and shall, in each case, comply with the requirements of the relevant standard specification: — Portland cement and rapid-hardening cement to SANS 471 Specification Portland blast-furnace cement to SANS Specification 626. Portland cement 15 to SANS Specification 831. Nevertheless, no cement other than ordinary Portland cement shall be used without the approval of the Department. Cement containing more than 15% blast-furnace slag will not be permitted in columns or in members less than 50mm thick. In addition (for the abovementioned items) where Ordinary Portland cement is used, blastfurnace slag (from separate containers) must not be added in any proportion whatsoever. No mixing of two different types of cement in the same batch will be allowed, and unless otherwise approved by the Department, the same brand and type shall be used in all exposed concrete.

STANDARD PREAMBLES TO ALL TRADES 9 Rev 3 January 2009 Lumpy cement, broken sacks and sweepings shall not be used. Cement supplied in sacks shall be used in the order in which it was delivered and shall not be kept in storage for longer than six (6) weeks without the approval of the Department.

Water: — Shall be clean and free from injurious amounts of acids, alkalis, sugar, organic matter and other substances that could impair the strength or durability of the concrete. If so required by the Department, the suitability of the water shall be proved by tests carried out by an approved laboratory.

Aggregates: — Unless otherwise specified both the coarse aggregate (stone) and the fine aggregate (sand) shall comply with the requirements of SANS Specification 1083. The Contractor is to prove compliance by means of either a certificate from the supplier or by grading analysis tests.

Admixtures: — i.e. materials other than cement, aggregate and water shall not be used in the concrete mix without the approval of the Department. The onus for proof of satisfaction to the Department for any admixture proposed shall be with Contractor.

Reinforcement: — for concrete shall be as specified and shall, in each case, comply with one of the following: — a) Type A hot rolled mild steel bars of plain round cross section to SANS Specification 920 b) Type C Class 2 hot rolled high yield stress Grade 1 deformed bars to SANS Specification 920 c) Type D Grade 1 cold worked deformed bars to SANS Specification 920. d) Welded steel fabric to SANS Specification 1024 manufactured from plain hard-drawn mild steel wire. A sample reinforcing rod, approximately 600mm long, may be taken from each consignment of rods of similar diameter, for testing. If any sample is found unsatisfactory the whole consignment of rods from which the sample was taken will be rejected. No substitution of the bars specified shall be made without the prior approval of the Department.

REINFORCEMENT Bending: — Reinforcing bars shall be cut and bent according to the dimensions shown on the working drawings and in accordance with SANS Specification 82. Except as allowed for below, all bars shall be bent cold and bending shall be done slowly, a steady even pressure being used without jerk or impact. If approved by the Department, hot bending of bars of diameter at least 32mm shall be permitted, provided that the bars do not depend for their strength on cold working. When hot bending is approved, the bars shall be heated slowly to a cherry red heat (not above 840 C°) and after bending shall be allowed to cool slowly in air. Quenching with water shall not be permitted.

Fixing: — All steel reinforcement, at the time of placing of the concrete, must be free from loose rust, scale, oil and other agents which will reduce the bond between the steel and the concrete or initiate corrosion of the reinforcement. Reinforcement exposed to sea spray shall be washed down, and the formwork drained, just prior to concreting. Reinforcement shall be positioned as shown on the working drawings or as directed by the Department and maintained in those positions within the tolerances given in the Specification for Tolerances. It shall be secured against displacement by tying at intersections with 1.6 or 1.25mm diameter annealed wire or by the use of suitable clips or, if permitted by the Department, by welding in accordance with SANS 1856. Welding will not

STANDARD PREAMBLES TO ALL TRADES 10 Rev 3 January 2009 be permitted on cold worked bars. Reinforcement shall be supported in its correct position by hangers, saddles or cover blocks and aligned by chairs and spacers all of approved design and material. Where such hangers, saddles, chairs or spacers are of steel, they will be detailed on the drawings or in bending schedules.

Cover: — The minimum cover of concrete over reinforcement, excluding any applied finish, shall be as shown on the working drawings, or as directed by the Department. Cover shall be maintained by using cover blocks, which shall be made of small aggregate concrete, not mortar, using the same cement and aggregate type and ratio as the parent concrete. Alternatively, cover blocks may be of the plastic type provided that sufficient number are used to prevent their collapse, that they are of a colour compatible with that of concrete and that the prior approval of the Department is given. Metal cover blocks shall not be used. If the concrete face has a Class F2 smooth finish or some other special finish as is described elsewhere, hemispherical or pyramid shaped concrete cover blocks shall be used unless otherwise specifically approved by the Department.

Splicing: — or joining of reinforcing bars shall be made only as and where shown on the working drawings or as otherwise approved. The length of the overlap in a splice shall be not less than that shown on the working drawings or forty-five times the diameter of the bar if not shown.

Protection of Exposed Bars: — If left exposed for future bonding of ext

Rates for Concrete: — are to include for mixing, handling and depositing (by hoisting or lowering) in the forms. Rates for items of reinforced concrete are to include for thoroughly working and packing around the steel reinforcement. All reinforcement, except where otherwise described, has been measured separately. Rates for

CONSTRUCTION OF ABLUTIONS AT UMZIMKULU CLINIC

concrete surface beds are to include for laying in suitable size panels not exceeding 20m² or as may be directed. The Contractor is to allow in his pricing of the concrete for all construction joints.

6.	As per the above standards ,pour concrete on complete of compaction Also for reinforcing and soil poisoning etc. in line with building regulations	3 m	1.5		
7.	<p>BRICKWORK: —unless otherwise described is to be in burnt clay common bricks and wherever practicable is to be in stretcher bond with the skins tied together with and including galvanized crimped wire wall ties in accordance with SANS Specification 28. The wire ties are to be of sufficient length to allow each end to be built into brickwork built into every fourth course and spaced at 450mm staggered centres (seven ties per square metre). The bricks are to be well wetted before being laid and the course of bricks laid last is to be well wetted before bedding the next course of bricks upon it. The brickwork is to have all perpend flushes up solid and each course is to be laid on a solid bed of mortar. No false headers are to be used. Whole bricks are to be used except where bats or closers are legitimately required to form bond. Unless otherwise described one brick walls are taken at a nominal thickness of 230mm.</p> <p>STANDARD PREAMBLES TO ALL TRADES 25 Rev 3 January 2009 The joints of all walls to be plastered are to be raked out as the work proceeds to form key for plaster. All walls are to be carried up regularly so that no part is built more than 1,2m higher than the adjoining walls. Mortar joints generally are not to exceed 10mm thickness unless otherwise indicated on the drawings. If a specific brick scale is indicated on the drawings, either drawn or written, it must be adhered to. Solid bricks to X-Ray Room walls are to be used. If hollow core bricks are used, these are to be grouted up solid.</p>				
8.	Using the above mentioned brick, construct superstructure walls. Construction of wall to be in line with building regulation.	2 m	77.4		
9.	Service provider to allow for installation of ALU PT 69 windows	No	4		
10.	Service provider to allow for installation of meranti doors complete with door frame and union locks with two sets of keys. Also allow for varnishing of doors and frames.	No	4		

“CHROMODEK” ROOFING SHEETS: - Shall be the secret fixed type, supplied with all fittings in full-length sheets in the profile and colour as specified. Sheets shall be a minimum of .58mm and maximum of .8mm thickness. When .58 thick sheets are used, purlin spacing’s shall be a maximum of 1.2mtrç and maximum 1.5mtrç for .8 thickness. Sheets shall leave the factory in the specified colour and any scratches etc., due to handling are to be ‘touched up’ on site after installation. All fixings, valleys, cappings and securing clips shall be to manufacturers’ recommendations and no variations shall be accepted without prior approval from the department. 0,58mm thick roof sheeting for purlins up to 1,2m spacing and 0,8mm thick roof sheeting for purlins exceeding 1,2m – 1,5m spacing. In area’s up to 30Km from the coast, metal roof sheeting to be 0,58mm thick with special corrosion protection as supplied in “ Global- Duro” roofing sheets. All other area’s to be 0,58mm as “Global-Tech corrosion protection. 0,58mm “Klip Lock 700 “ or “Craflock “ and 0,8mm “ Brownbuilt “. (0,8mm is recommended for high rainfall and snow fall area’s due to deeper trough.) **RATES:** — for roof coverings, are to include for all necessary half tiles at verges and for all square cutting and waste at verges, abutments, and top and bottom edges and to both sides of ridges.

CONSTRUCTION OF ABLUTIONS AT UMZIMKULU CLINIC

11.	Service provider to allow for installation of timber trusses complete with 0.58 kliplock roof sheeting. Also allow for installation of hoop irons for fixing of timber trusses.	2 m	48		
<p>DRAINAGE AND PLUMBING GENERALLY: —The Standard Preambles for other trades, with reference to Excavations, Concrete, Brickwork and Plastering, and, in particular for the full description intent and meaning of the classification for excavations, are to apply equally to this trade. LICENSED DRAINLAYERS AND PLUMBERS: — Only licensed drain layers shall be employed on any drainage work and licensed plumbers on plumbing work. SUBSOIL DRAINS Unplasticised polyvinyl chloride (UPVC) slotted drainage pipes and fittings: — shall be of approved manufacture jointed in accordance with the manufacturer’s instructions. Pitch-fiber perforated or slotted drainage pipes and fittings: shall comply with SANS Specification 921 and shall be jointed in accordance with the manufacturer’s instructions. Filter fabric: — shall be non-woven, spun bonded, needle punched and continuous polyester fabric, resistant to the effects of alkalis, acids, saline solution and sunlight. STORMWATER AND SOIL DRAIN PIPES Reinforced concrete non-pressured pipes: shall comply, with SANS Specification 677 and must be Type SC of the class specified with spigot and socket ends with rubber insertion ring or with ogee joints with approved rubber collars. Pipes must be marked with the manufacturer’s name, trade name or registered trade mark, nominal bore, class and type, date of manufacture, the letter “R” denoting reinforced and the SANS mark. Joints shall be made in accordance with SANS Code of Practice 058. Unplasticised polyvinyl chloride (UPVC) drain and sewer pipes and fittings: — shall comply with SANS Specification 791. Joins shall be made with fittings in accordance with SANS Code of Practice 058. CONCRETE BEDS AND ENCASMENT TO DRAIN PIPES: — Where pipes are required to be bedded on concrete, the bed of concrete shall be Class B, a minimum of 500mm wider than the diameter of the pipe, laid to correct falls and levels with recesses formed in same for pipe joints including all necessary formwork and any additional excavation. The barrel of the pipe shall then be bedded on a thin cement mortar (1:3) bed and laid to falls. After jointing, the recesses previously formed shall be filled in with concrete Class B and the haunching or surrounding completed. Where pipes are fixed vertically they shall be encased in concrete Class B having a minimum thickness of 150mm around the pipe and carried up to ground level and shall include for any necessary formwork. PIPE LAYING: — All drain and sewer pipes are to be laid to a straight line to even gradients and jointed in accordance with SANS Code of Practice 058 except in the case of polyethylene or unplasticised polyvinyl chloride drain and sewer piping which is to be in accordance with SANS Code of Practice 01 12. Before laying, each pipe shall be examined to ensure that the bore is clean and free of any foreign matter and shall be tested for soundness by striking with a wooden mallet, and any cracked or damaged pipes shall be rejected. Ends of all pipes must be clean before STANDARD PREAMBLES TO ALL TRADES 64 Rev 3 January 2009 jointing. Immediately after jointing a tight fitting wad or scraper shall be drawn several times through the bore of the pipe to ensure that it is left clean and free from obstructions. Whenever work is suspended, the open ends of pipes and junctions must be temporarily plugged to prevent the entrance of rubbish during construction. GULLEY TRAPS: — Gully trap assemblies must be of the material specified with “P” or “S” trap, jointed to drain and with hopper head with vertical and side inlets, the head fitted with 190mm diameter cast iron gully grating complying with SANS Specification 1115 laid loose in socket. The trap, hopper head and vertical pipe shall be set on and encased in concrete Class B having a minimum thickness of 150mm at any one part, carried up 75mm above ground level as kerb, dished down to grating and finished on all exposed surfaces in 1:3 cement plaster with angles rounded, including necessary excavation and formwork.</p>					
12	Supply and install low level toilet cisterns complete with pan and heavy toilet seat and cover	No.	4		
13.	Service provider to allow for trenching of sewer line to lay 100mm UG sewer line and connect to main sewer line.	Item	1		
14.	On completion clear site and dump rubble on nearest dump site not exceeding 30 km.	Item	1		

CONSTRUCTION OF ABLUTIONS AT UMZIMKULU CLINIC

14.	Allow for preliminaries and generals which include (site establishment, health and safety file, accommodation etc.)	%	5%		
	SUBTOTAL				R
	VAT				R
	GRAND TOTAL				R

On appointment compliance with the following:

- Submission of site specific health and safety file.
- Covid 19 compliance
- Signing of site hand over certificate.
- Contractors staff to have identifiable workwear.
- Compliance with EPWP requirements.
- Submission of contractors program.
- Penalties will be imposed on defaulting contractors, formula as follows $(0.00275 \times \text{total cost}) = \text{cost per day}$
- Contractors are requested to sign this document.

List of documents to be attached: ZNQ:

- Copy of CIDB 1GB OR ICE and above
- Letter of good standing
- Correctly filled specification / schedule of rates with calculations tallying
- Attach proof of three verifiable orders above of similar work of (preferably state department).
- Attach completion certificate of abovementioned orders.

CONSTRUCTION OF ABLUTIONS AT UMZIMKULU CLINIC

Functionality points allocation as follows:

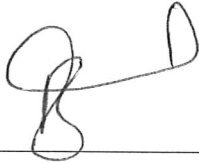
Criteria	Deliverables	Point allocation	Sub points	Contractors points allocated
Experience of the tenderer on similar type of projects.	Attach proof of verifiable order of similar work with completion certificates. Maximum of 3 orders allowed.	60	20 points for each order with completion submitted. 0 for none submitted	
Qualification	Director or shareholder with qualification in the built environment.	20	20 points for director or shareholder with relevant.	
Youth	Director /shareholder falling into the youth category. Attach copy of identity document.	05	05 points for youth director 0 points for directors over the youth category	
Documentation	Attachment of the following documents (letter of good standing(5), relevant copy of active CIDB.(5) , 10)	10	5 points for letter of good standing. 5 points for active CIDB.	
Locality	Submission of proof of location (physical address of the premises) and distance away from the various sites in the event of various facilities.	05	05 points for proof of location of 0-100 0 points for proof of 101 to 250.	
Minimum points for qualification		100	60	

CONSTRUCTION OF ABLUTIONS AT UMZIMKULU CLINIC

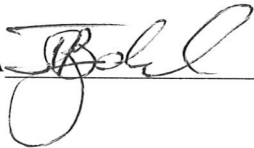
ZNQ

Signed
CONTRACTOR

Compiled by: R GOVENDER



Approved by: B.J ZINDELA



Date: 2021/07/28

KWAZULU NATAL

DEPARTMENT OF HEALTH

Room Name

**PARAPLEGIC TOILET
ABLUTION**

Category

ABLUTION FACILITIES

Revision No

Sheet No

Date

1

Drawn By:-

G.B.Pike (PrSArchT ST0997)

P.Bag x 9051

Pietermaritzburg

3200

Tel 083 4571199

Scale

Date

1:50 ; 1:75

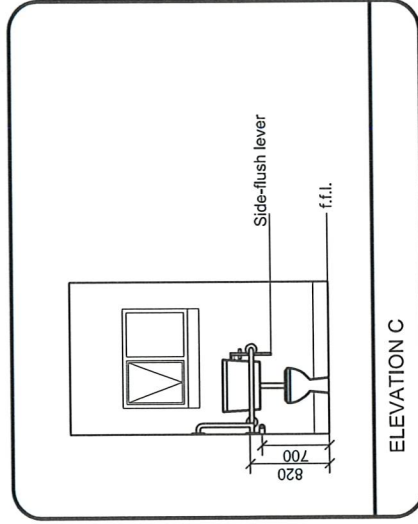
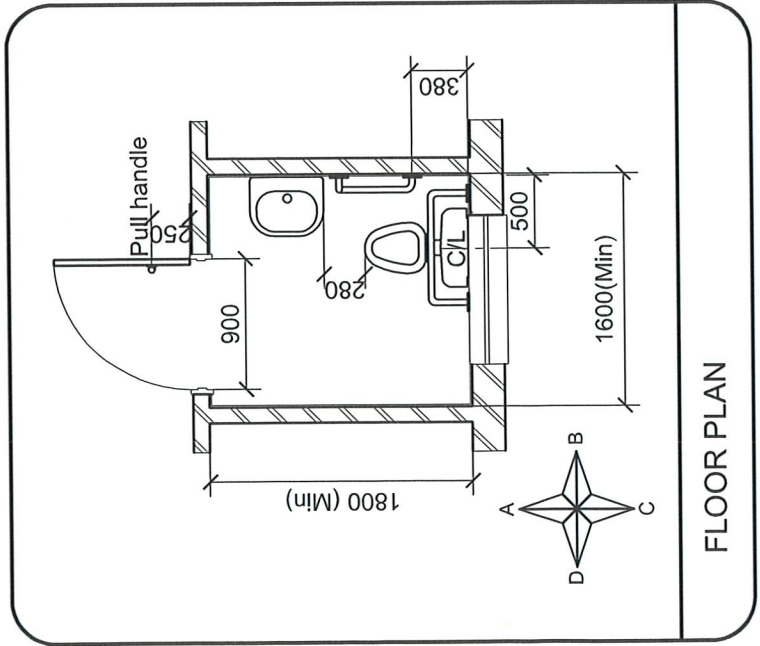
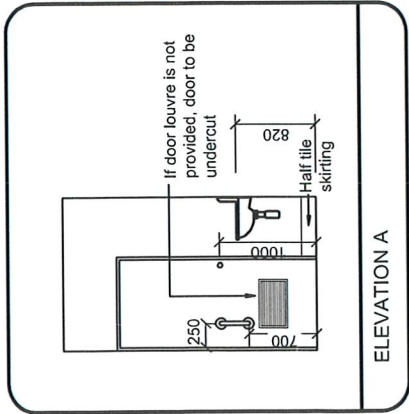
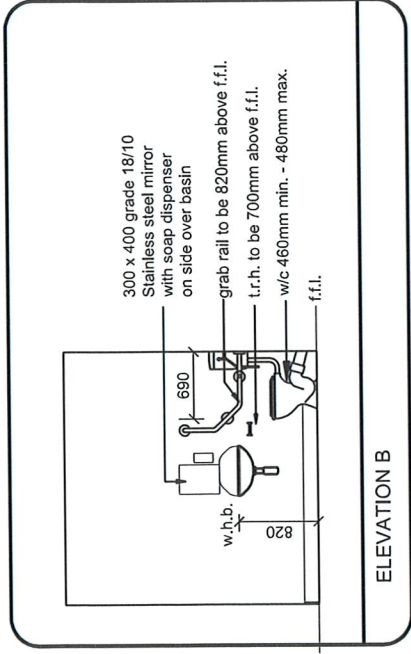
September 2006

Signature

Drawing No.

6036H /01 - 01

This drawing and design is copyright and must not be reproduced in part or in whole without prior written consent. Contractors must verify all dimensions on site before commencing work or preparing shop drawings.



Supply Chain Management (Demand Management)

Procurement Plan Check list before cash flow committee

NSI NUMBER: 58810812021-2022

ITEM DESCRIPTION: CONSTRUCTION OF ABULTON AT UMZIMKHATHU (SEE THE ATTACHED SPECIFICATION)

Is the item on Procurement Plan. (Yes/No) Yes

If No the end user must motivate and specify which item that is on procurement plan will not be procured on this financial year as planned

Demand Management function

Checked by: hUNGIWE

Signature: [Signature]

Date: 30/08/2021