

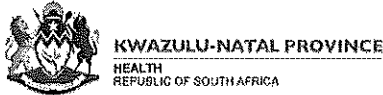
SharePoint

Shabane Thabisile - ?



KZN Health > Components > Supply Chain Management

AdvertQuote



Quotation Advert

Opening Date: 2022-09-06

Closing Date: 2022-09-12 7

Closing Time: 11:00

INSTITUTION DETAILS

Institution Name: Ladysmith hospital

Province: KwaZulu-Natal

Department or Entity: Department of Health

Division or section: Central Supply Chain Management

Place where goods / services is required: Ladysmith Regional Hopsital

Date Submitted: 2022-09-05

ITEM CATEGORY AND DETAILS

Quotation Number: ZNQ: LSH9812/23

Item Category: Goods

Item Description: supply and deliver kitchen equipment as per attached quotation

Quantity (if supplies): 2

COMPULSORY BRIEFING SESSION / SITE VISIT

Select Type: Not Applicable

Date:

Time:

Venue:

QUOTES CAN BE COLLECTED FROM:

QUOTES SHOULD BE DELIVERED TO:

ENQUIRIES REGARDING THE ADVERT MAY BE DIRECTED TO:

Name: T.Shabane

Email: ladysmith.quotation@kznhealth.gov.za

Contact Number: 036 638 0135

Finance Manager Name: XL Ntuli

Finance Manager Signature:

No late quotes will be considered

GENERAL CONDITIONS OF CONTRACT

1. AMENDMENT OF CONTRACT

- 1.1. Any amendment to or renunciation of the provisions of the contract shall at all times be done in writing and shall be signed by both parties.

2. CHANGE OF ADDRESS

- 2.1. Bidders must advise the Department of Health (institution where the offer was submitted) should their address (*domicilium citandi et executandi*) details change from the time of bidding to the expiry of the contract.

3. GENERAL CONDITIONS ATTACHED TO THIS QUOTATION

- 3.1. The Department is under no obligation to accept the lowest or any quote.
- 3.2. The Department reserves the right to communicate in writing with vendors in cases where information is incomplete or where there are obscurities regarding technical aspects of the offer, to obtain confirmation of prices or preference claims in cases where it is evident that a typing, written, transfer or unit error has been made, to investigate the vendor's standing and ability to complete the supply/service satisfactorily.
- 3.3. **ALL DECISIONS TAKEN BY THE DEPARTMENT ARE FINAL, INCLUDING THE AWARD OR CANCELLATION OF THIS QUOTATION.**
- 3.4. The price quoted must include VAT (if VAT vendor).
- 3.5. Should a bidder become a VAT vendor after award or during the implementation of a contract, they may not request the VAT percentage from the Department as the service provider made an offer during the period they were not registered as a VAT vendor. The Department is only liable for any VAT from registered VAT vendors as originally stated on the quotation document.
- 3.6. The bidder must ensure the correctness & validity of the quotation:
- (i) *that the price(s), rate(s) & preference quoted cover all for the work/item (s) & accept that any mistakes regarding the price (s) & calculations will be at the bidder's risk*
- (ii) *it is the responsibility of the bidder to confirm receipt of their quotation and to keep proof thereof.*
- 3.7. The bidder must accept full responsibility for the proper execution & fulfilment of all obligations conditions devolving on under this agreement, as the Principal (s) liable for the due fulfilment of this contract.
- 3.8. This quotation will be evaluated based on the 80/20 points system, specification, correctness of information and/or functionality criteria. All required documentation must be completed in full and submitted.
- 3.9. Offers must comply strictly with the specification.
- 3.10. Only offers that meet or are greater than the specification will be considered.
- 3.11. Late offers will not be considered.
- 3.12. Expired product/s will not be accepted. All products supplied must be valid for a minimum period of six months.
- 3.13. Used/ second-hand products will not be accepted.
- 3.14. A bidder not registered on the Central Suppliers Database or whose verification has failed will not be considered.
- 3.15. All delivery costs must be included in the quoted price for delivery at the prescribed destination.
- 3.16. Only firm prices will be accepted. Such prices must remain firm for the contract period. Non-firm prices (including rates of exchange variations) will not be considered.
- 3.17. In cases where different delivery points influence the pricing, a separate pricing schedule must be submitted for each delivery point.
- 3.18. In the event of a bidder having multiple quotes, only the cheapest according to specification will be considered.
- 3.19. Verification will be conducted to identify if bidders have multiple companies and are cover-quoting for this bid.
- 3.20. In such instances, the Department reserves the right to immediately disqualify such bidders as cover-quoting is an offence that represents both corruption and acquisition fraud.

4. SPECIAL INSTRUCTIONS AND NOTICES TO BIDDERS REGARDING THE COMPLETION OF THIS QUOTATION.

- 4.1. Unless inconsistent with or expressly indicated otherwise by the context, the singular shall include the plural and vice versa and with words importing the masculine gender shall include the feminine and the neuter.
- 4.2. Under no circumstances whatsoever may the quotation/bid forms be retyped or redrafted. Photocopies of the original bid documentation may be used, but an original signature must appear on such photocopies.
- 4.3. The bidder is advised to check the number of pages and to satisfy himself that none are missing or duplicated.
- 4.4. Quotations submitted must be complete in all respects. However, where it is identified that information in a bidder's response, which does not affect the preference points or price, is incomplete in any respect, the said supplier meets all specification requirements and scores the highest points in terms of preference points and price, the Department reserves the right to request the bidder to complete/ submit such information.
- 4.5. Any alteration made by the bidder must be initialled; failure to do so may render the response invalid.
- 4.6. Use of correcting fluid is prohibited and may render the response invalid.
- 4.7. Quotations will be opened in public as soon as practicable after the closing time of quotation.
- 4.8. Where practical, prices are made public at the time of opening quotations.
- 4.9. If it is desired to make more than one offer against any individual item, such offers should be given on a photocopy of the page in question. Clear indication thereof must be stated on the schedules attached.

4.10. The Department is under no obligation to pay suppliers in part for work done if the supplier can no longer fulfill their obligation.

5. SPECIAL INSTRUCTIONS REGARDING HAND DELIVERED QUOTATIONS

- 5.1. Quotation shall be lodged at the address indicated not later than the closing time specified for their receipt, and in accordance with the directives in the quotation documents.
- 5.2. Each quotation shall be addressed in accordance with the directives in the quotation documents and shall be lodged in a separate sealed envelope, with the name and address of the bidder, the quotation number and closing date indicated on the envelope. The envelope shall not contain documents relating to any quotation other than that shown on the envelope. If this provision is not complied with, such quotations/bids may be rejected as being invalid.
- 5.3. All quotations received in sealed envelopes with the relevant quotation numbers on the envelopes are kept unopened in safe custody until the closing time of the quotation/bids. Where, however, a quotation is received open, it shall be sealed. If it is received without a quotation/bid number on the envelope, it shall be opened, the quotation number ascertained, the envelope sealed and the quotation number written on the envelope.
- 5.4. A specific box is provided for the receipt of quotations, and no quotation found in any other box or elsewhere subsequent to the closing date and time of quotation will be considered.
- 5.5. No quotation/bid sent through the post will be considered if it is received after the closing date and time stipulated in the quotation documentation, and proof of posting will not be accepted as proof of delivery.
- 5.6. Quotation documents must not be included in packages containing samples. Such quotations may be rejected as being invalid.

6. SAMPLES

- 6.1. In the case of the quote document stipulating that samples are required, the supplier will be informed in due course when samples should be provided to the institution. (This decreases the time of safety and storage risk that may be incurred by the respective institution). The bidders sample will be retained if such bidder wins the contract.
 - (i) If a company/s who has not won the quote requires their samples, they must advise the institution in writing of such.
 - (ii) If samples are not collected within three months of close of quote the institution reserves the right to dispose of them at their discretion.
- 6.2. **Samples must be made available when requested in writing or if stipulated on the document.**
 - (i) If a Bidder fails to provide a sample of their product on offer for scrutiny against the set specification when requested, their offer will be rejected. All testing will be for the account of the bidder.

7. COMPULSORY SITE INSPECTION / BRIEFING SESSION

7.1. Bidders who fail to attend the compulsory meeting will be disqualified from the evaluation process.

- (i) The institution has determined that a compulsory site meeting take place
- (ii) Date ____/____/____ Time ____:____ Place _____

Institution Stamp:	Institution Site Inspection / briefing session Official
	Full Name:
	Signature:
	Date:

8. STATEMENT OF SUPPLIES AND SERVICES

8.1. The contractor shall, when requested to do so, furnish particulars of supplies delivered or services executed. If he/she fails to do so, the Department may, without prejudice to any other rights which it may have, institute inquiries at the expense of the contractor to obtain the required particulars.

9. SUBMISSION AND COMPLETION OF SBD 6.1

9.1. Should a bidder wish to qualify for preference points they must complete a SBD 6.1 document. Failure by a bidder to provide all relevant information required, will result in such a bidder not being considered for preference point's allocation. The preferences applicable on the closing date will be utilized. Any changes after the closing date will not be considered for that particular quote.

10. TAX COMPLIANCE REQUIREMENTS

- 10.1. In the event that the tax compliance status has failed on CSD, **it is the suppliers' responsibility to provide a SARS pin in order for the institution to validate the tax compliance status of the supplier.**
- 10.2. In the event that the institution cannot validate the suppliers' tax clearance on SARS as well as the Central Suppliers Database, **the quote will not be considered and passed over as non-compliant according to National Treasury Instruction Note 4 (a) 2016/17.**

11. TAX INVOICE

11.1. A tax invoice shall be in the currency of the Republic of South Africa and shall contain the following particulars:

- | | |
|------------------------------------------------------------------------------------------|------------------------------------------------------------------------------|
| (i) the name, address and registration number of the supplier; | (iv) a description and quantity or volume of the goods or services supplied; |
| (ii) the name and address of the recipient; | (v) the official department order number issued to the supplier; |
| (iii) an individual serialized number and the date upon which the tax invoice is issued; | (vi) the value of the supply, the amount of tax charged; |
| | (vii) the words tax invoice in a prominent place. |

12. PATENT RIGHTS

The supplier shall indemnify the **KZN Department of Health** (hereafter known as the purchaser) against all third-party claims of infringement of patent, trademark, or industrial design rights arising from use of the goods or any part thereof by the purchaser.

13. PENALTIES

- 13.1. If at any time during the contract period, the service provider is unable to perform in a timely manner, the service provider must notify the institution in writing/email of the cause of and the duration of the delay. Upon receipt of the notification, the institution should evaluate the circumstances and, if deemed necessary, the institution may extend the service provider's time for performance.
- 13.2. In the event of delayed performance that extends beyond the delivery period, the institution is entitled to purchase commodities of a similar quantity and quality as a substitution for the outstanding commodities, without terminating the contract, as well as return commodities delivered at a later stage at the service provider's expense.
- 13.3. Alternatively, the institution may elect to terminate the contract and procure the necessary commodities in order to complete the contract. In the event that the contract is terminated the institution may claim damages from the service provider in the form of a penalty. The service provider's performance should be captured on the service provider database in order to determine whether or not the service provider should be awarded any contracts in the future.
- 13.4. If the supplier fails to deliver any or all of the goods or to perform the services within the period(s) specified in the contract, the purchaser shall, without prejudice to its other remedies under the contract, deduct from the contract price, as a penalty, a sum calculated on the delivered price of the delayed goods or unperformed services using the current prime interest rate calculated for each day of the delay until actual delivery or performance.

14. TERMINATION FOR DEFAULT

- 14.1. The purchaser, without prejudice to any other remedy for breach of contract, by written notice of default sent to the supplier, may terminate this contract in whole or in part:
- (i) if the supplier fails to deliver any or all of the goods within the period(s) specified in the contract,
 - (ii) if the supplier fails to perform any other obligation(s) under the contract; or
 - (iii) if the supplier, in the judgment of the purchaser, has engaged in corrupt or fraudulent practices in competing for or in executing the contract.
- 14.2. In the event the purchaser terminates the contract in whole or in part, the purchaser may procure, upon such terms and in such manner as it deems appropriate, goods, works or services similar to those undelivered, and the supplier shall be liable to the purchaser for any excess costs for such similar goods, works or services.
- 14.3. Where the purchaser terminates the contract in whole or in part, the purchaser may decide to impose a restriction penalty on the supplier by prohibiting such supplier from doing business with the public sector for a period not exceeding 10 years.

15. THE DEPARTMENT RESERVES THE RIGHT TO PASS OVER ANY QUOTATION WHICH FAILS TO COMPLY WITH THE ABOVE.

PREFERENCE POINTS CLAIM FORM IN TERMS OF THE PREFERENTIAL PROCUREMENT REGULATIONS 2017

This preference form must form part of all quotes invited. It contains general information and serves as a claim form for preference points for Broad-Based Black Economic Empowerment (B-BBEE) Status Level of Contribution

NB: BEFORE COMPLETING THIS FORM, BIDDERS MUST STUDY THE GENERAL CONDITIONS, DEFINITIONS AND DIRECTIVES APPLICABLE IN RESPECT OF B-BBEE, AS PRESCRIBED IN THE PREFERENTIAL PROCUREMENT REGULATIONS, 2017.

1. GENERAL CONDITIONS

1.1 The following preference point systems are applicable to all quotes:

- the 80/20 system for requirements with a Rand value of up to R50 000 000 (all applicable taxes included); and

1.2 The value of this quote is estimated to not exceed R50 000 000 (all applicable taxes included) and therefore the 80/20 preference point system shall be applicable.

1.3 Points for this quote shall be awarded for:

- (a) Price; and
- (b) B-BBEE Status Level of Contributor.

1.4 The maximum points for this quote is allocated as follows:

	POINTS
PRICE	80
B-BBEE STATUS LEVEL OF CONTRIBUTOR	20
Total points for Price and B-BBEE must not exceed	100

1.5 Failure on the part of a bidder to submit proof of B-BBEE Status level of contributor together with the quote, will be interpreted to mean that preference points for B-BBEE status level of contribution are not claimed.

1.6 The purchaser reserves the right to require of a bidder, either before a quote is adjudicated or at any time subsequently, to substantiate any claim in regard to preferences, in any manner required by the purchaser.

2. DEFINITIONS

- (a) **"B-BBEE"** means broad-based black economic empowerment as defined in section 1 of the Broad-Based Black Economic Empowerment Act;
- (b) **"B-BBEE status level of contributor"** means the B-BBEE status of an entity in terms of a code of good practice on black economic empowerment, issued in terms of section 9(1) of the Broad-Based Black Economic Empowerment Act;
- (c) **"bid"** means a written offer in a prescribed or stipulated form in response to an invitation by an organ of state for the provision of goods or services, through price quotations, advertised competitive bidding processes or proposals;
- (d) **"Broad-Based Black Economic Empowerment Act"** means the Broad-Based Black Economic Empowerment Act, 2003 (Act No. 53 of 2003);
- (e) **"EME"** means an Exempted Micro Enterprise in terms of a code of good practice on black economic empowerment issued in terms of section 9 (1) of the Broad-Based Black Economic Empowerment Act;
- (f) **"functionality"** means the ability of a tenderer to provide goods or services in accordance with specifications as set out in the tender documents.
- (g) **"prices"** includes all applicable taxes less all unconditional discounts;
- (h) **"proof of B-BBEE status level of contributor"** means:
 - 1) B-BBEE Status level certificate issued by an authorized body or person;
 - 2) A sworn affidavit as prescribed by the B-BBEE Codes of Good Practice;
 - 3) Any other requirement prescribed in terms of the B-BBEE Act;
- (i) **"QSE"** means a qualifying small business enterprise in terms of a code of good practice on black economic empowerment issued in terms of section 9 (1) of the Broad-Based Black Economic Empowerment Act;
- (j) **"rand value"** means the total estimated value of a contract in Rand, calculated at the time of bid invitation, and includes all applicable taxes;

3. POINTS AWARDED FOR PRICE

3.1 THE 80/20 PREFERENCE POINT SYSTEMS

A maximum of 80 points is allocated for price on the following basis:

$$Ps = 80 \left(1 - \frac{Pt - P \min}{P \min} \right) \text{ Where}$$

- Ps = Points scored for price of bid under consideration
- Pt = Price of bid under consideration
- Pmin = price of lowest acceptable bid

4. POINTS AWARDED FOR B-BBEE STATUS LEVEL OF CONTRIBUTOR

4.1 In terms of Regulation 6 (2) and 7 (2) of the Preferential Procurement Regulations, preference points must be awarded to a bidder for attaining the B-BBEE status level of contribution in accordance with the table below:

B-BBEE Status Level of Contributor	Number of points (80/20 system)
1	20
2	18
3	14
4	12
5	8
6	6
7	4
8	2
Non-compliant contributor	0

5. BID DECLARATION

5.1 Bidders who claim points in respect of B-BBEE Status Level of Contribution must complete the following:

6. B-BBEE STATUS LEVEL OF CONTRIBUTOR CLAIMED IN TERMS OF PARAGRAPHS 1.4 AND 4.1

6.1 B-BBEE Status Level of Contributor: =(maximum of 20 points)

(Points claimed in respect of paragraph 7.1 must be in accordance with the table reflected in paragraph 4.1 and must be substantiated by relevant proof of B-BBEE status level of contributor.

7. SUB-CONTRACTING
(applicable box)

(Tick

YES	NO
-----	----

7.1 Will any portion of the contract be sub-contracted?

7.1.1 If yes, indicate:

- i) What percentage of the contract will be subcontracted.....%
- ii) The name of the sub-contractor.....
- iii) The B-BBEE status level of the sub-contractor.....

8. Whether the sub-contractor is an EME or QSE

(Tick applicable box)

iv) Specify, by ticking the appropriate box, if subcontracting with an enterprise in terms of Preferential Procurement Regulations,2017:

YES	NO
-----	----

Designated Group: An EME or QSE which is at last 51% owned by:	EME √	QSE √
Black people		
Black people who are youth		
Black people who are women		
Black people with disabilities		
Black people living in rural or underdeveloped areas or townships		
Cooperative owned by black people		
Black people who are military veterans		
OR		
Any EME		
Any QSE		

9. **DECLARATION WITH REGARD TO COMPANY/FIRM**

9.1 Name of company/firm:.....

9.2 VAT registration number:.....

9.3 Company registration number:.....

9.4 **TYPE OF COMPANY/ FIRM [TICK APPLICABLE BOX]**

- Partnership/Joint Venture / Consortium
- One person business/sole propriety
- Close corporation
- Company
- (Pty) Limited

9.5 **DESCRIBE PRINCIPAL BUSINESS ACTIVITIES**

.....
.....

9.6 **COMPANY CLASSIFICATION [TICK APPLICABLE BOX]**

- Manufacturer
- Supplier
- Professional service provider
- Other service providers, e.g. transporter, etc.

9.7 Total number of years the company/firm has been in business:.....

9.8 I/we, the undersigned, who is / are duly authorised to do so on behalf of the company/firm, certify that the points claimed, based on the B-BBE status level of contributor indicated in paragraphs 1.4 and 6.1 of the foregoing certificate, qualifies the company/ firm for the preference(s) shown and i / we acknowledge that:

- i) The information furnished is true and correct;
- ii) The preference points claimed are in accordance with the General Conditions as indicated in paragraph 1 of this form;
- iii) In the event of a contract being awarded as a result of points claimed as shown in paragraphs 1.4 and 6.1, the contractor may be required to furnish documentary proof to the satisfaction of the purchaser that the claims are correct;
- iv) If the B-BBEE status level of contributor has been claimed or obtained on a fraudulent basis or any of the conditions of contract have not been fulfilled, the purchaser may, in addition to any other remedy it may have –
 - (a) disqualify the person from the bidding process;
 - (b) recover costs, losses or damages it has incurred or suffered as a result of that person's conduct;
 - (c) cancel the contract and claim any damages which it has suffered as a result of having to make less favourable arrangements due to such cancellation;
 - (d) recommend that the bidder or contractor, its shareholders and directors, or only the shareholders and directors who acted on a fraudulent basis, be restricted by the National Treasury from obtaining business from any organ of state for a period not exceeding 10 years, after the *audi alteram partem* (hear the other side) rule has been applied; and
 - (e) forward the matter for criminal prosecution.

<p>WITNESSES</p> <p>1.</p> <p>2.</p>

<p>.....</p> <p>SIGNATURE(S) OF BIDDERS(S)</p> <p>DATE:</p> <p>ADDRESS.....</p> <p>.....</p> <p>.....</p>

SPECIFICATION NO. DPW1360 **STEAM JACKETED TILTING POT WITH VARIABLE SPEED MIXER**

MODEL: PULSAR SINGLE 100 ELECTRIC
CODE: PLS 100E (VSPD.)

Rev 3



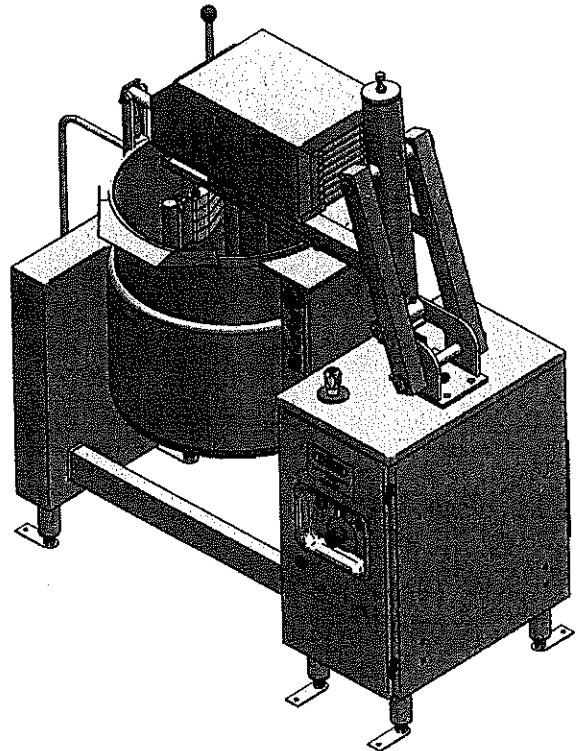
LOA Certificate No.
000000072689/001

SABS IEC
60 335-2-47

General Features

Construction

The cooking unit consists of a stainless steel steam jacketed pot mounted between two stainless steel pedestals. The pedestals are supported by short, adjustable feet at each corner. A hinged and counter sprung mixer assembly is mounted on top of the main pedestal by means of a stainless steel bracket. The mixer assembly carries a variable speed electric geared motor that drives a removable main mixer fitted with thermoplastic scrapers. A removable baffle plate is mounted on the mixer assembly. The main mixer offers continuous scraping of the inner sidewalls of the vessel. The speed of the mixer is controlled by a selector toggle switch on the control panel with a speed range of approximately 34 rpm to 86 rpm.



The pot has a torospherical bottom and the steam jacket and is constructed of 3 & 2.5 mm thick 304 stainless steel. About 60% of the pot height is jacketed. The pot has a reinforced rim with a welded-on, trough-shaped pouring lip. It is mirror polished on the exterior and satin finished on the interior surfaces achieved by polishing with successive grits.

On top of the main pedestal is a chrome water supply valve for filling purposes. The pedestal also houses the electric control board with the controls fitted to the front door. The electric board is fitted within a separate enclosure inside the main pedestal. The front door can be opened giving easy access to the electric components and interior during maintenance.

Tilting

Tilting of the pot is done manually by means of a vertical handle welded to the side of the pot. There are factory-set stops for both fully upright and tilted positions. The tilt mechanism is also fitted with a special brake shoe allowing controlled tilting during full loads.

Controls

The control panel on the main pedestal door includes the following: a mixer starter push button, a mixer stop push button, speed selection toggle switch and an emergency stop button. The following controls are mounted in the arm: thermostatic temperature controller, pressure gauge, elements (ON) light, low water level indication light and a factory-set jacket pressure control switch.

Safety Features

- Stainless Steel pressure safety valve (factory-set) which releases steam should the design pressure exceeded. The safety valve is sealed with a lead seal to prevent tampering with the valve set pressure. A special safety cap prevents tampering with the steam release lever by un-authorized persons.
- Weld-on sight glass with vacuum-proof seals for easy monitoring of jacket water level.
- The water level is measured with a low level probe situated inside the element box to protect the elements.
- A pressure switch which cuts off the electrical power supply to the elements should the jacket pressure exceed the factory set maximum operating pressure.

- A thermostat to control the temperature/pressure inside the jacket.
- Mixer limit switch – Stops mixer when lifted out of either pot.
- Mixer locking latch – Mixer safely secured and locked into position before mixing.
- Emergency stop – Large stop button on control panel cuts off all power to the unit.

Electric Heating – Specific Features

Heating Elements

Steam is generated within the jacket by 3 off 6 kW geysers type, Incoloy-sheathed, heating elements. These elements are controlled by a thermostat sensor mounted in the steam jacket with a range of 30°-150°C allowing control of the steam temperature.

Steam Jacket

The steam jacket provides a closed steam generating system. The jacket is factory-filled with a chemically treated water solution to the required level. The pot is fitted with a weld-on sight glass assembly. A ½” filler plug on the jacket permits topping up of the steam jacket with tap water when necessary. This plug is fitted at a specific height to prevent overfilling.

The steam jacket is designed for a pressure of 170 kPa (1.7 bar), and has been tested at the factory to 1.5 times this pressure (a Test Certificate is issued with each pot). The pot has been designed and constructed generally in accordance with ASME VIII code Division 1: Boilers & Pressure Vessels Code and conforms to the requirements of the “Pressure Equipment Regulations, No. R. 734 2009” of the Occupational Health and Safety Act (Act No. 85 of 1993). The pot is categorized and classified in terms of Figure 1, Graph for vessels – Dangerous gasses of SANS 347:2010 as a Hazard Category I. A certificate of conformity will be supplied with the equipment from the manufacturer.

The closed jacket system does not generate steam continuously and has no steam generating capacity provided the following conditions are maintained:

- The pot must not be modified or converted to a STEAM GENERATOR for external steam supply.
- The pot must not be connected to a water supply to fill-up the jacket continuously with water in-order to supply steam continuously.

TECHNICAL DATA

Working Volume:	100 litres
Effective Volume:	110 litres
Design Pressure:	170 kPa / 130.1°C (1.7 bar)
Max. Operating Pressure:	160 kPa / 128.9°C (1.6 bar)
Test Pressure:	255 kPa (2.55 bar)
Steam Jacket Volume:	0.0283 m ³
Power Requirements:	3 x 400 V AC + N + E, 50 Hz
Power Rating:	Max 19 kW (30 A) per Phase
Water Supply Connection:	15mm Copper Pipe (MAX 6 bar)
Approx. Shipping Dimensions:	1.5m (L) x 1.1m (W) x 1.8m (H) palletted and crated
Approx. Shipping Weight:	400 kg

NCRS: Letter of Authority

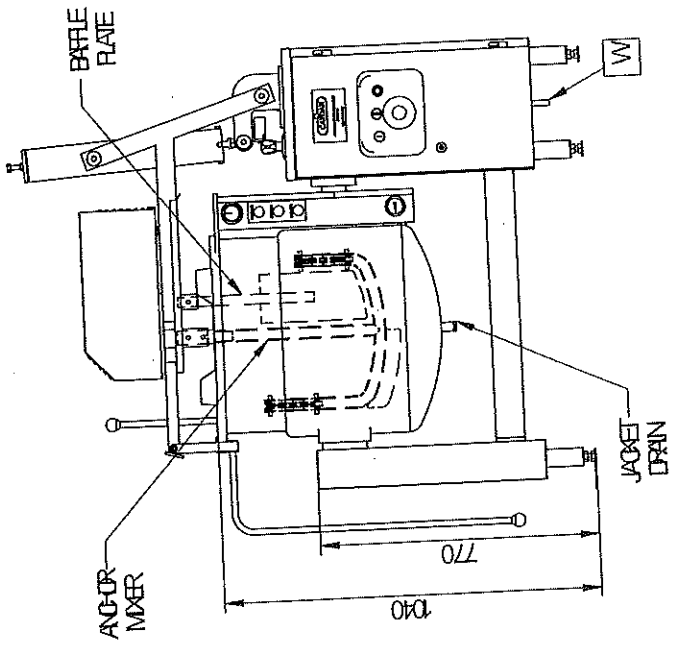
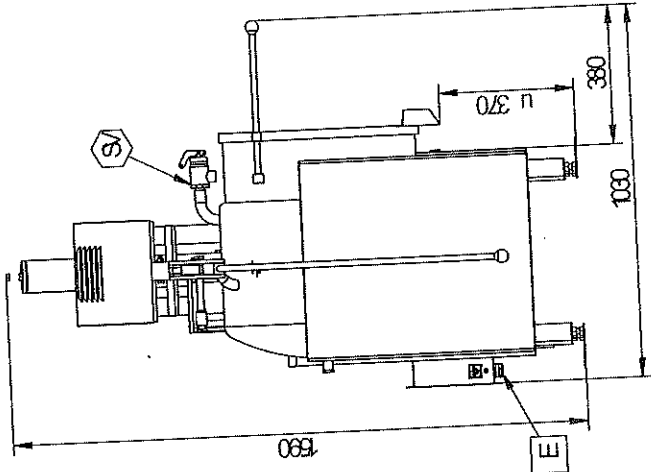
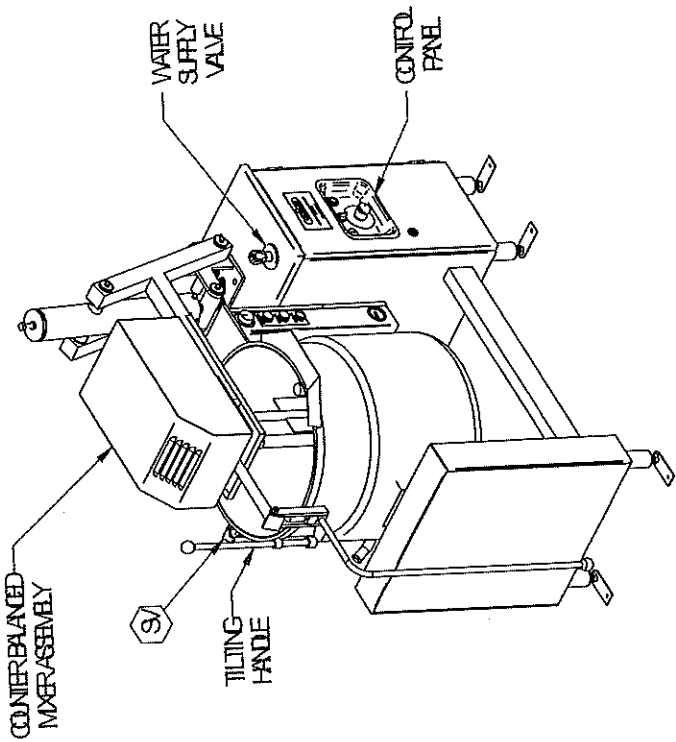
SABS IEC 60 335-2-47
Letter Of Authority Certificate No. - 000000072689/001

Public Works Specifications

- A shunt tripping mechanism with a 100 Ampere Triple Pole main circuit breaker.
- Two auto reset pressure switches are to be fitted onto each pot. One to control i.e. energize/de-energize the contactors and the second pressure switch to control a shunt trip that is mechanically linked with the main breaker. The shunt trip will trip the main circuit breaker and must be manually reset.
- The safety valve will be tamper proof.

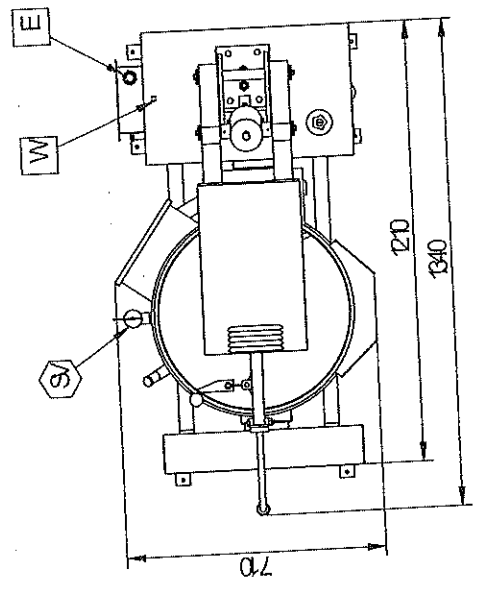
Optional Extras

- Removable Lid
- Two speed mixer drive
- Air vent fitted to pot.



- (E) ELECTRICAL INTERFACE
METAL OREGANIN2
10 AMP TYP DISINTEGRATOR
3 PHASE- NEUTRAL + EARTH
- (W) WATER INLET - 6mm COPPER PIPE (MAX 6 BAR)
- (S) SILENT VALVE - 3/4" NMS SILENT VALVE

- NOTES**
1. POT ID - 0625mm
 2. DESIGN PRESSURE - 170kPa (10.1fQ)
 3. MAX OPERATING PRESSURE - 160kPa (128.9fQ)
 4. TESTING PRESSURE - 256kPa
 5. JACKET VOLUME - 28.1
 6. HAZARD CATEGORY - 1 (figure 1 Dangerous Gas)
 7. ELECTRICAL LOADING - 18kW 30AIR-ASE 3PHN(400V)
 8. MINIMUM CANTY HEIGHT - 1900mm



NO.	QTY	DESCRIPTION	DIMENSIONS	DRAWING/MATERIAL
<small>This drawing is the confidential property of LUBRISIL AND RESEARCHES (Pty) Ltd. Trading as MARS EQUIPMENT MANUFACTURING and may not be disclosed, copied or reproduced in whole or in part without written permission from MARS EQUIPMENT MANUFACTURING.</small>				
PROJECTION		MARS EQUIPMENT MANUFACTURING		
PAPER		MARS EQUIPMENT MANUFACTURING		
A3		TEL: (021) 862 6110		
SECTION		DRAWING NUMBER: MEM305-00-IC		
DRAWN BY: ECP/ST/BOUYA		REV. 0		
DATE DRAWN: 20/10/25		DRAWING NUMBER: MEM305-00-IC		
DATE REVISION: 20/10/24		REV. 0		
CHECKED BY: ECP/ST/BOUYA		REV. 0		
DATE REVISION: 20/10/25		REV. 0		

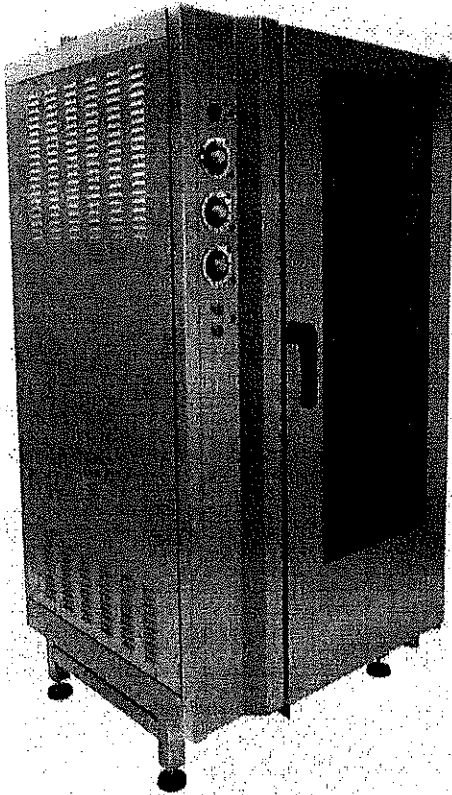
REV	DATE
0	2010/10/25

REV	DESCRIPTION
0	NEW DRAWING
1	ECP

FEATURES

- Heavy duty full stainless steel construction
- Powerful circulating fans
- Removable interior fan panel for easy cleaning
- All interior parts are manufactured from 304 stainless steel
- Manual steam injection system with preheated boiler for instant effective steaming
- Large full view glass door with cool touch locking handle

- Fan will automatically switch off when oven door is opened
- Two stage locking handle to safely release heat before fully opening
- Roll in trolley included
- Convenient trolley system for fast loading and unloading
- Rapid heat up time
- Steam flow of 30 Litres / hr
- Operating temperature: 50°C-300°C

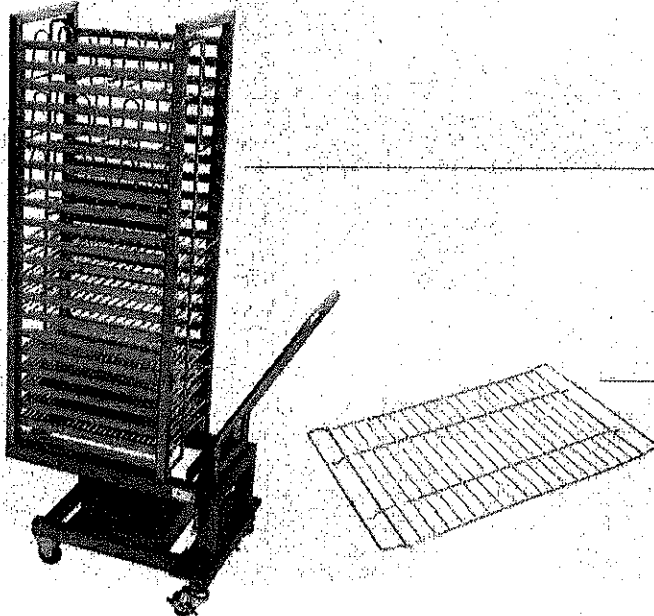


COA2020

CONVECTION OVEN ANVIL (COMBI) - 20 PAN

SPECIFICATIONS

POWER RATING:	36KW
VOLTAGE:	380V - 3 phase - 50Hz (Neutral and Earth)
DIMENSIONS:	1008 x 928 x 1970mm
BOX DIMENSIONS:	1142 x 1100 x 2217mm
CHAMBER DIMENSIONS:	506 x 642 x 1490mm
CAPACITY:	20 trays - GN 1/1
PACKED WEIGHT:	420kg
WATER INLET (BSP):	3/4"
WATER OUTLET (BSP):	1 1/4"
INCLUDES:	20 x grill shelves



ACCESSORIES FOR CONVECTION OVEN COA2020

COT2020

CONVECTION OVEN ANVIL (COMBI) - 20 PAN - ROLL IN TROLLEY ONLY

COR3001

CONVECTION OVEN GRILL SHELF