



KWAZULU-NATAL PROVINCE
HEALTH
REPUBLIC OF SOUTH AFRICA

Quotation Advert

Opening Date: 17/07/2023
Closing Date: 21/07/2023
Closing Time: 11:00

INSTITUTION DETAILS

Institution Name: Dr Pixley Ka Isaka Seme Memorial Hospital
Province: KwaZulu-Natal
Department of entity: Department of Health
Division or section: Supply Chain Management
Place where goods/
service is required: DR Pixley Ka Isaka Seme Memorial Hospital
Date Submitted: 14/07/2023

ITEM CATEGORY AND DETAILS

Quotation number: DPM211/23-24
Item Category: Goods
Item Description: DENTAL LAB SUCTION UNIT
Quantity (if supplies): Once Off

COMPULSORY BRIEFING SESSION / SITE VISIT

Select Type: Not applicable
Time: N/A
Venue: -N/A

QUOTES CAN BE COLLECTED FROM: DOWNLOADABLE FROM KZN HEALTH WEBSITE

QUOTES SHOULD BE DELIVERED TO: 310 BHEJANE STREET, KWAMASHU, 4360, GATE 3

ENQUIRIES REGARDING ADVERT MAY BE DIRECTED TO:

Name: Ms ZAMA DLADLA

Email: [pixley.quotations@kznhealth .gov.za](mailto:pixley.quotations@kznhealth.gov.za)

Contact number: 031 530 1457 Ext.1457

Finance Manager Name: Mr B.M NTOMBELA

Finance Manage signature: 



BIDDER'S DISCLOSURE

1 PURPOSE OF THE FORM

Any person (natural or juristic) may make an offer or offers in terms of this invitation to bid. In line with the principles of transparency, accountability, impartiality, and ethics as enshrined in the Constitution of the Republic of South Africa and further expressed in various pieces of legislation, it is required for the bidder to make this declaration in respect of the details required hereunder.

Where a person/s are listed in the Register for Tender Defaulters and / or the List of Restricted Suppliers, that person will automatically be disqualified from the bid process.

2 BIDDER'S DECLARATION

2.1. Is the bidder, or any of its directors / trustees / shareholders / members / partners or any person having a controlling interest¹ in the enterprise, employed by the state? **YES / NO**

2.1.1. If so, furnish particulars of the names, individual identity numbers, and, if applicable, state employee numbers of sole proprietor/ directors / trustees / shareholders / members/ partners or any person having a controlling interest in the enterprise, in table below.

FULL NAME	IDENTITY NUMBER	NAME OF STATE INSTITUTION

2.2. Do you, or any person connected with the bidder, have a relationship with any person who is employed by the procuring institution? **YES / NO**

2.2.1. If so, furnish particulars: _____

2.3. Does the bidder or any of its directors / trustees / shareholders / members / partners or any person having a controlling interest in the enterprise have any interest in any other related enterprise whether or not they are bidding for this contract? **YES / NO**

2.3.1. If so, furnish particulars: _____

3 DECLARATION

I, the undersigned, (name) _____ in submitting the accompanying bid, do hereby make the following statements that I certify to be true and complete in every respect:

- 3.1. I have read and I understand the contents of this disclosure;
- 3.2. I understand that the accompanying bid will be disqualified if this disclosure is found not to be true and complete in every respect;
- 3.3. The bidder has arrived at the accompanying bid independently from, and without consultation, communication, agreement or arrangement with any competitor. However, communication between partners in a joint venture or consortium² will not be construed as collusive bidding.
- 3.4. In addition, there have been no consultations, communications, agreements or arrangements with any competitor regarding the quality, quantity, specifications, prices, including methods, factors or formulas used to calculate prices, market allocation, the intention or decision to submit or not to submit the bid, bidding with the intention not to win the bid and conditions or delivery particulars of the products or services to which this bid invitation relates.
- 3.5. The terms of the accompanying bid have not been, and will not be, disclosed by the bidder, directly or indirectly, to any competitor, prior to the date and time of the official bid opening or of the awarding of the contract.
- 3.6. There have been no consultations, communications, agreements or arrangements made by the bidder with any official of the procuring institution in relation to this procurement process prior to and during the bidding process except to provide clarification on the bid submitted where so required by the institution; and the bidder was not involved in the drafting of the specifications or terms of reference for this bid.
- 3.7. I am aware that, in addition and without prejudice to any other remedy provided to combat any restrictive practices related to bids and contracts, bids that are suspicious will be reported to the Competition Commission for investigation and possible imposition of administrative penalties in terms of section 59 of the Competition Act No 89 of 1998 and or may be reported to the National Prosecuting Authority (NPA) for criminal investigation and or may be restricted from conducting business with the public sector for a period not exceeding ten (10) years in terms of the Prevention and Combating of Corrupt Activities Act No 12 of 2004 or any other applicable legislation.

I CERTIFY THAT THE INFORMATION FURNISHED IN PARAGRAPHS 1, 2 and 3 ABOVE IS CORRECT.

I ACCEPT THAT THE STATE MAY REJECT THE BID OR ACT AGAINST ME IN TERMS OF PARAGRAPH 6 OF PFMA SCM INSTRUCTION 03 OF 2021/22 ON PREVENTING AND COMBATING ABUSE IN THE SUPPLY CHAIN MANAGEMENT SYSTEM SHOULD THIS DECLARATION PROVE TO BE FALSE.

NAME OF BIDDER	SIGNATURE	POSITION	DATE
----------------	-----------	----------	------

1 the power, by one person or a group of persons holding the majority of the equity of an enterprise, alternatively, the person/s having the deciding vote or power to influence or to direct the course and decisions of the enterprise.

2 Joint venture or Consortium means an association of persons for the purpose of combining their expertise, property, capital, efforts, skill and knowledge in an activity for the execution of a contract.

GENERAL CONDITIONS OF CONTRACT

NOTES

The purpose of this document is to:

- (i) Draw special attention to certain general conditions applicable to government bids, contracts and orders; and
- (ii) To ensure that clients be familiar with regard to the rights and obligations of all parties involved in doing business with government.

In this document words in the singular also mean in the plural and vice versa and words in the masculine also mean in the feminine and neuter.

- The General Conditions of Contract will form part of all bid/quotation documents and may not be amended.
- Special Conditions of Contract (SCC) relevant to a specific bid, should be compiled separately for every bid (if applicable) and will supplement the General Conditions of Contract. Whenever there is a conflict, the provisions in the SCC shall prevail.

1 Definitions

The following terms shall be interpreted as indicated:

- 1.1. "Closing time" means the date and hour specified in the bidding documents for the receipt of bids.
- 1.2. "Contract" means the written agreement entered into between the purchaser and the supplier, as recorded in the contract form signed by the parties, including all attachments and appendices thereto and all documents incorporated by reference therein.
- 1.3. "Contract price" means the price payable to the supplier under the contract for the full and proper performance of his contractual obligations.
- 1.4. "Corrupt practice" means the offering, giving, receiving, or soliciting of any thing of value to influence the action of a public official in the procurement process or in contract execution.
- 1.5. "Countervailing duties" are imposed in cases where an enterprise abroad is subsidized by its government and encouraged to market its products internationally.
- 1.6. "Country of origin" means the place where the goods were mined, grown or produced or from which the services are supplied. Goods are produced when, through manufacturing, processing or substantial and major assembly of components, a commercially recognized new product results that is substantially different in basic characteristics or in purpose or utility from its components.
- 1.7. "Day" means calendar day.
- 1.8. "Delivery" means delivery in compliance of the conditions of the contract or order.
- 1.9. "Delivery ex stock" means immediate delivery directly from stock actually on hand.
- 1.10. "Delivery into consignees store or to his site" means delivered and unloaded in the specified store or depot or on the specified site in compliance with the conditions of the contract or order, the supplier bearing all risks and charges involved until the supplies are so delivered and a valid receipt is obtained.
- 1.11. "Dumping" occurs when a private enterprise abroad market its goods on own initiative in the RSA at lower prices than that of the country of origin and which have the potential to harm the local industries in the RSA
- 1.12. "Force majeure" means an event beyond the control of the supplier and not involving the supplier's fault or negligence and not foreseeable. Such events may include, but is not restricted to, acts of the purchaser in its sovereign capacity, wars or revolutions, fires, floods, epidemics, quarantine restrictions and freight embargoes.
- 1.13. "Fraudulent practice" means a misrepresentation of facts in order to influence a procurement process or the execution of a contract to the detriment of any bidder, and includes collusive practice among bidders (prior to or after bid submission) designed to establish bid prices at artificial non-competitive levels and to deprive the bidder of the benefits of free and open competition.
- 1.14. "GCC" means the General Conditions of Contract.
- 1.15. "Goods" means all of the equipment, machinery, and/or other materials that the supplier is required to supply to the purchaser under the contract.
- 1.16. "Imported content" means that portion of the bidding price represented by the cost of components, parts or materials which have been or are still to be imported (whether by the supplier or his subcontractors) and which costs are inclusive of the costs abroad, plus freight and other direct importation costs such as landing costs, dock dues, import duty, sales duty or other similar tax or duty at the South African place of entry as well as transportation and handling charges to the factory in the Republic where the supplies covered by the bid will be manufactured.
- 1.17. "Local content" means that portion of the bidding price which is not included in the imported content provided that local manufacture does take place.
- 1.18. "Manufacture" means the production of products in a factory using labour, materials, components and machinery and includes other related value-adding activities.
- 1.19. "Order" means an official written order issued for the supply of goods or works or the rendering of a service.
- 1.20. "Project site," where applicable, means the place indicated in bidding documents.
- 1.21. "Purchaser" means the organization purchasing the goods.
- 1.22. "Republic" means the Republic of South Africa.
- 1.23. "SCC" means the Special Conditions of Contract.
- 1.24. "Services" means those functional services ancillary to the supply of the goods, such as transportation and any other incidental services, such as installation, commissioning, provision of technical assistance, training, catering, gardening, security, maintenance and other such obligations of the supplier covered under the contract.
- 1.25. "Written" or "in writing" means handwritten in ink or any form of electronic or mechanical writing.

2 Application

- 2.1. These general conditions are applicable to all bids, contracts and orders including bids for functional and professional services, sales, hiring, letting and the granting or acquiring of rights, but excluding immovable property, unless otherwise indicated in the bidding documents.
- 2.2. Where applicable, special conditions of contract are also laid down to cover specific supplies, services or works.
- 2.3. Where such special conditions of contract are in conflict with these general conditions, the special conditions shall apply.

3 General

- 3.1. Unless otherwise indicated in the bidding documents, the purchaser shall not be liable for any expense incurred in the preparation and submission of a bid. Where applicable a non-refundable fee for documents may be charged.
- 3.2. With certain exceptions, invitations to bid are only published in the Government Tender Bulletin. The Government Tender Bulletin may be obtained directly from the Government Printer, Private Bag X85, Pretoria 0001, or accessed electronically from www.treasury.gov.za



4 Standards

- 4.1. The goods supplied shall conform to the standards mentioned in the bidding documents and specifications.

5 Use of contract documents and information; inspection.

- 5.1. The supplier shall not, without the purchaser's prior written consent, disclose the contract, or any provision thereof, or any specification, plan, drawing, pattern, sample, or information furnished by or on behalf of the purchaser in connection therewith, to any person other than a person employed by the supplier in the performance of the contract. Disclosure to any such employed person shall be made in confidence and shall extend only so far as may be necessary for purposes of such performance.
- 5.2. The supplier shall not, without the purchaser's prior written consent, make use of any document or information mentioned in GCC clause 5.1 except for purposes of performing the contract.
- 5.3. Any document, other than the contract itself mentioned in GCC clause 5.1 shall remain the property of the purchaser and shall be returned (all copies) to the purchaser on completion of the supplier's performance under the contract if so required by the purchaser.
- 5.4. The supplier shall permit the purchaser to inspect the supplier's records relating to the performance of the supplier and to have them audited by auditors appointed by the purchaser, if so required by the purchaser.

6 Patent rights

- 6.1. The supplier shall indemnify the purchaser against all third-party claims of infringement of patent, trademark, or industrial design rights arising from use of the goods or any part thereof by the purchaser.

7 Performance security

- 7.1. Within thirty (30) days of receipt of the notification of contract award, the successful bidder shall furnish to the purchaser the performance security of the amount specified in SCC.
- 7.2. The proceeds of the performance security shall be payable to the purchaser as compensation for any loss resulting from the supplier's failure to complete his obligations under the contract.
- 7.3. The performance security shall be denominated in the currency of the contract, or in a freely convertible currency acceptable to the purchaser and shall be in one of the following forms:
- (a) a bank guarantee or an irrevocable letter of credit issued by a reputable bank located in the purchaser's country or abroad, acceptable to the purchaser, in the form provided in the bidding documents or another form acceptable to the purchaser; or
 - (b) a cashier's or certified cheque
- 7.4. The performance security will be discharged by the purchaser and returned to the supplier not later than thirty (30) days following the date of completion of the supplier's performance obligations under the contract, including any warranty obligations, unless otherwise specified in SCC.

8 Inspections, tests and analyses

- 8.1. All pre-bidding testing will be for the account of the bidder.
- 8.2. If it is a bid condition that supplies to be produced or services to be rendered should at any stage during production or execution or on completion be subject to inspection, the premises of the bidder or contractor shall be open, at all reasonable hours, for inspection by a representative of the Department or an organization acting on behalf of the Department.
- 8.3. If there are no inspection requirements indicated in the bidding documents and no mention is made in the contract, but during the contract period it is decided that inspections shall be carried out, the purchaser shall itself make the necessary arrangements, including payment arrangements with the testing authority concerned.
- 8.4. If the inspections, tests and analyses referred to in clauses 8.2 and 8.3 show the supplies to be in accordance with the contract requirements, the cost of the inspections, tests and analyses shall be defrayed by the purchaser.
- 8.5. Where the supplies or services referred to in clauses 8.2 and 8.3 do not comply with the contract requirements, irrespective of whether such supplies or services are accepted or not, the cost in connection with these inspections, tests or analyses shall be defrayed by the supplier.
- 8.6. Supplies and services which are referred to in clauses 8.2 and 8.3 and which do not comply with the contract requirements may be rejected.
- 8.7. Any contract supplies may on or after delivery be inspected, tested or analyzed and may be rejected if found not to comply with the requirements of the contract. Such rejected supplies shall be held at the cost and risk of the supplier who shall, when called upon, remove them immediately at his own cost and forthwith substitute them with supplies which do comply with the requirements of the contract. Failing such removal the rejected supplies shall be returned at the suppliers cost and risk. Should the supplier fail to provide the substitute supplies forthwith, the purchaser may, without giving the supplier further opportunity to substitute the rejected supplies, purchase such supplies as may be necessary at the expense of the supplier.
- 8.8. The provisions of clauses 8.4 to 8.7 shall not prejudice the right of the purchaser to cancel the contract on account of a breach of the conditions thereof, or to act in terms of Clause 23 of GCC.

9 Packing

- 9.1. The supplier shall provide such packing of the goods as is required to prevent their damage or deterioration during transit to their final destination, as indicated in the contract. The packing shall be sufficient to withstand, without limitation, rough handling during transit and exposure to extreme temperatures, salt and precipitation during transit, and open storage. Packing, case size and weights shall take into consideration, where appropriate, the remoteness of the goods' final destination and the absence of heavy handling facilities at all points in transit.
- 9.2. The packing, marking, and documentation within and outside the packages shall comply strictly with such special requirements as shall be expressly provided for in the contract, including additional requirements, if any, specified in SCC, and in any subsequent instructions ordered by the purchaser.

10 Delivery and documents

- 10.1. Delivery of the goods shall be made by the supplier in accordance with the terms specified in the contract. The details of shipping and/or other documents to be furnished by the supplier are specified in SCC.
- 10.2. Documents to be submitted by the supplier are specified in SCC.

11 Insurance

- 11.1. The goods supplied under the contract shall be fully insured in a freely convertible currency against loss or damage incidental to manufacture or acquisition, transportation, storage and delivery in the manner specified in the SCC.



12 Transportation

- 12.1. Should a price other than an all-inclusive delivered price be required, this shall be specified in the SCC.

13 Incidental services

- 13.1. The supplier may be required to provide any or all of the following services, including additional services, if any, specified in SCC:
- (a) performance or supervision of on-site assembly and/or commissioning of the supplied goods;
 - (b) furnishing of tools required for assembly and/or maintenance of the supplied goods;
 - (c) furnishing of a detailed operations and maintenance manual for each appropriate unit of the supplied goods;
 - (d) performance or supervision or maintenance and/or repair of the supplied goods, for a period of time agreed by the parties, provided that this service shall not relieve the supplier of any warranty obligations under this contract; and
 - (e) training of the purchaser's personnel, at the supplier's plant and/or on-site, in assembly, start-up, operation, maintenance, and/or repair of the
- 13.2. Prices charged by the supplier for incidental services, if not included in the contract price for the goods, shall be agreed upon in advance by the parties and shall not exceed the prevailing rates charged to other parties by the supplier for similar services.

14 Spare parts

- As specified in SCC, the supplier may be required to provide any or all of the following materials, notifications, and information pertaining to spare parts manufactured or distributed by the supplier:
- 14.1.
- (a) such spare parts as the purchaser may elect to purchase from the supplier, provided that this election shall not relieve the supplier of any warranty obligations under the contract; and
 - (b) in the event of termination of production of the spare parts:
 - (i) Advance notification to the purchaser of the pending termination, in sufficient time to permit the purchaser to procure needed requirements; and
 - (ii) following such termination, furnishing at no cost to the purchaser, the blueprints, drawings, and specifications of the spare parts, if requested.

15 Warranty

- 15.1. The supplier warrants that the goods supplied under the contract are new, unused, of the most recent or current models, and that they incorporate all recent improvements in design and materials unless provided otherwise in the contract. The supplier further warrants that all goods supplied under this contract shall have no defect, arising from design, materials, or workmanship (except when the design and/or material is required by the purchaser's specifications) or from any act or omission of the supplier, that may develop under normal use of the supplied goods in the conditions prevailing in the country of final destination.
- 15.2. This warranty shall remain valid for twelve (12) months after the goods, or any portion thereof as the case may be, have been delivered to and accepted at the final destination indicated in the contract, or for eighteen (18) months after the date of shipment from the port or place of loading in the source country, whichever period concludes earlier, unless specified otherwise in SCC.
- 15.3. The purchaser shall promptly notify the supplier in writing of any claims arising under this warranty.
- 15.4. Upon receipt of such notice, the supplier shall, within the period specified in SCC and with all reasonable speed, repair or replace the defective goods or parts thereof, without costs to the purchaser.
- 15.5. If the supplier, having been notified, fails to remedy the defect(s) within the period specified in SCC, the purchaser may proceed to take such remedial action as may be necessary, at the supplier's risk and expense and without prejudice to any other rights which the purchaser may have against the supplier under the contract.

16 Payment

- 16.1. The method and conditions of payment to be made to the supplier under this contract shall be specified in SCC.
- 16.2. The supplier shall furnish the purchaser with an invoice accompanied by a copy of the delivery note and upon fulfillment of other obligations stipulated in the contract.
- 16.3. Payments shall be made promptly by the purchaser, but in no case later than thirty (30) days after submission of an invoice or claim by the supplier.
- 16.4. Payment will be made in Rand unless otherwise stipulated in SCC.

17 Prices

- 17.1. Prices charged by the supplier for goods delivered and services performed under the contract shall not vary from the prices quoted by the supplier in his bid, with the exception of any price adjustments authorized in SCC or in the purchaser's request for bid validity extension, as the case may be.

18 Contract amendments

- 18.1. No variation in or modification of the terms of the contract shall be made except by written amendment signed by the parties concerned.

19 Assignment

- 19.1. The supplier shall not assign, in whole or in part, its obligations to perform under the contract, except with the purchaser's prior written consent.

20 Subcontracts

- 20.1. The supplier shall notify the purchaser in writing of all subcontracts awarded under this contracts if not already specified in the bid. Such notification, in the original bid or later, shall not relieve the supplier from any liability or obligation under the contract.

21 Delays in the supplier's performance

- 21.1. Delivery of the goods and performance of services shall be made by the supplier in accordance with the time schedule prescribed by the purchaser in the contract.
- 21.2. If at any time during performance of the contract, the supplier or its subcontractor(s) should encounter conditions impeding timely delivery of the goods and performance of services, the supplier shall promptly notify the purchaser in writing of the fact of the delay, its likely duration and its cause(s). As soon as practicable after receipt of the supplier's notice, the purchaser shall evaluate the situation and may at his discretion extend the supplier's time for performance, with or without the imposition of penalties, in which case the extension shall be ratified by the parties by amendment of contract.
- 21.3. No provision in a contract shall be deemed to prohibit the obtaining of supplies or services from a national department, provincial department, or a local authority.
- 21.4. The right is reserved to procure outside of the contract small quantities or to have minor essential services executed if an emergency arises, the supplier's point of supply is not situated at or near the place where the supplies are required, or the supplier's services are not readily available.



- 21.5. Except as provided under GCC Clause 25, a delay by the supplier in the performance of its delivery obligations shall render the supplier liable to the imposition of penalties, pursuant to GCC Clause 22, unless an extension of time is agreed upon pursuant to GCC Clause 21.2 without the application of penalties.
- 21.6. Upon any delay beyond the delivery period in the case of a supplies contract, the purchaser shall, without canceling the contract, be entitled to purchase supplies of a similar quality and up to the same quantity in substitution of the goods not supplied in conformity with the contract and to return any goods delivered later at the supplier's expense and risk, or to cancel the contract and buy such goods as may be required to complete the contract and without prejudice to his other rights, be entitled to claim damages from the supplier.
- 22 Penalties**
- 22.1. Subject to GCC Clause 25, if the supplier fails to deliver any or all of the goods or to perform the services within the period(s) specified in the contract, the purchaser shall, without prejudice to its other remedies under the contract, deduct from the contract price, as a penalty, a sum calculated on the delivered price of the delayed goods or unperformed services using the current prime interest rate calculated for each day of the delay until actual delivery or performance. The purchaser may also consider termination of the contract pursuant to GCC Clause 23.
- 23 Termination for default**
- 23.1. The purchaser, without prejudice to any other remedy for breach of contract, by written notice of default sent to the supplier, may terminate this contract in whole or in part:
- (a) if the supplier fails to deliver any or all of the goods within the period(s) specified in the contract, or within any extension thereof granted by the purchaser pursuant to GCC Clause 21.2;
 - (b) if the Supplier fails to perform any other obligation(s) under the contract; or
 - (c) if the supplier, in the judgment of the purchaser, has engaged in corrupt or fraudulent practices in competing for or in executing the contract.
- 23.2. In the event the purchaser terminates the contract in whole or in part, the purchaser may procure, upon such terms and in such manner as it deems appropriate, goods, works or services similar to those undelivered, and the supplier shall be liable to the purchaser for any excess costs for such similar goods, works or services. However, the supplier shall continue performance of the contract to the extent not terminated.
- 23.3. Where the purchaser terminates the contract in whole or in part, the purchaser may decide to impose a restriction penalty on the supplier by prohibiting such supplier from doing business with the public sector for a period not exceeding 10 years.
- 23.4. If a purchaser intends imposing a restriction on a supplier or any person associated with the supplier, the supplier will be allowed a time period of not more than fourteen (14) days to provide reasons why the envisaged restriction should not be imposed. Should the supplier fail to respond within the stipulated fourteen (14) days the purchaser may regard the intended penalty as not objected against and may impose it on the supplier.
- 23.5. Any restriction imposed on any person by the Accounting Officer / Authority will, at the discretion of the Accounting Officer / Authority, also be applicable to any other enterprise or any partner, manager, director or other person who wholly or partly exercises or exercised or may exercise control over the enterprise of the first-mentioned person, and with which enterprise or person the first-mentioned person, is or was in the opinion of the Accounting Officer / Authority actively associated.
- 23.6. If a restriction is imposed, the purchaser must, within five (5) working days of such imposition, furnish the National Treasury, with the following information:
- (i) the name and address of the supplier and / or person restricted by the purchaser;
 - (ii) the date of commencement of the restriction
 - (iii) the period of restriction; and
 - (iv) the reasons for the restriction.
- These details will be loaded in the National Treasury's central database of suppliers or persons prohibited from doing business with the public sector.
- 23.7. If a court of law convicts a person of an offence as contemplated in sections 12 or 13 of the Prevention and Combating of Corrupt Activities Act, No. 12 of 2004, the court may also rule that such person's name be endorsed on the Register for Tender Defaulters. When a person's name has been endorsed on the Register, the person will be prohibited from doing business with the public sector for a period not less than five years and not more than 10 years. The National Treasury is empowered to determine the period of restriction and each case will be dealt with on its own merits. According to section 32 of the Act the Register must be open to the public. The Register can be perused on the National Treasury website.
- 24 Anti-dumping and countervailing duties and rights**
- 24.1. When, after the date of bid, provisional payments are required, or antidumping or countervailing duties are imposed, or the amount of a provisional payment or anti-dumping or countervailing right is increased in respect of any dumped or subsidized import, the State is not liable for any amount so required or imposed, or for the amount of any such increase. When, after the said date, such a provisional payment is no longer required or any such anti-dumping or countervailing right is abolished, or where the amount of such provisional payment or any such right is reduced, any such favourable difference shall on demand be paid forthwith by the contractor to the State or the State may deduct such amounts from moneys (if any) which may otherwise be due to the contractor in regard to supplies or services which he delivered or rendered, or is to deliver or render in terms of the contract or any other contract or any other amount which may be due to him.
- 25 Force Majeure**
- 25.1. Notwithstanding the provisions of GCC Clauses 22 and 23, the supplier shall not be liable for forfeiture of its performance security, damages, or termination for default if and to the extent that his delay in performance or other failure to perform his obligations under the contract is the result of an event of force majeure.
- 25.2. If a force majeure situation arises, the supplier shall promptly notify the purchaser in writing of such condition and the cause thereof. Unless otherwise directed by the purchaser in writing, the supplier shall continue to perform its obligations under the contract as far as is reasonably practical, and shall seek all reasonable alternative means for performance not prevented by the force majeure event.
- 26 Termination for insolvency**
- 26.1. The purchaser may at any time terminate the contract by giving written notice to the supplier if the supplier becomes bankrupt or otherwise insolvent. In this event, termination will be without compensation to the supplier, provided that such termination will not prejudice or affect any right of action or remedy which has accrued or will accrue thereafter to the purchaser.
- 27 Settlement of Disputes**
- 27.1. If any dispute or difference of any kind whatsoever arises between the purchaser and the supplier in connection with or arising out of the contract, the parties shall make every effort to resolve amicably such dispute or difference by mutual consultation.



- 27.2. If, after thirty (30) days, the parties have failed to resolve their dispute or difference by such mutual consultation, then either the purchaser or the supplier may give notice to the other party of his intention to commence with mediation. No mediation in respect of this matter may be commenced unless such notice is given to the other party.
- 27.3. Should it not be possible to settle a dispute by means of mediation, it may be settled in a South African court of law.
- 27.4. Mediation proceedings shall be conducted in accordance with the rules of procedure specified in the SCC.
- 27.5. Notwithstanding any reference to mediation and/or court proceedings herein,
(a) the parties shall continue to perform their respective obligations under the contract unless they otherwise agree; and
(b) the purchaser shall pay the supplier any monies due the supplier.
- 28 Limitation of liability**
- 28.1. Except in cases of criminal negligence or willful misconduct, and in the case of infringement pursuant to Clause 6;
(a) the supplier shall not be liable to the purchaser, whether in contract, tort, or otherwise, for any indirect or consequential loss or damage, loss of use, loss of production, or loss of profits or interest costs, provided that this exclusion shall not apply to any obligation of the supplier to pay penalties and/or damages to the purchaser; and
(b) the aggregate liability of the supplier to the purchaser, whether under the contract, in tort or otherwise, shall not exceed the total contract price, provided that this limitation shall not apply to the cost of repairing or replacing defective equipment.
- 29 Governing language**
- 29.1. The contract shall be written in English. All correspondence and other documents pertaining to the contract that is exchanged by the parties shall also be written in English.
- 30 Applicable law**
- 30.1. The contract shall be interpreted in accordance with South African laws, unless otherwise specified in SCC.
- 31 Notices**
- 31.1. Every written acceptance of a bid shall be posted to the supplier concerned by registered or certified mail and any other notice to him shall be posted by ordinary mail to the address furnished in his bid or to the address notified later by him in writing and such posting shall be deemed to be proper service of such notice
- 31.2. The time mentioned in the contract documents for performing any act after such aforesaid notice has been given, shall be reckoned from the date of posting of such notice.
- 32 Taxes and duties**
- 32.1. A foreign supplier shall be entirely responsible for all taxes, stamp duties, license fees, and other such levies imposed outside the purchaser's country.
- 32.2. A local supplier shall be entirely responsible for all taxes, duties, license fees, etc., incurred until delivery of the contracted goods to the purchaser.
- 32.3. No contract shall be concluded with any bidder whose tax matters are not in order. Prior to the award of a bid the Department must be in possession of a tax clearance certificate, submitted by the bidder. This certificate must be an original issued by the South African Revenue Services.
- 33 National Industrial Participation (NIP) Programme**
- 33.1. The NIP Programme administered by the Department of Trade and Industry shall be applicable to all contracts that are subject to the NIP obligation.
- 34 Prohibition of Restrictive practices**
- 34.1. In terms of section 4 (1) (b) (iii) of the Competition Act No. 89 of 1998, as amended, an agreement between, or concerted practice by, firms, or a decision by an association of firms, is prohibited if it is between parties in a horizontal relationship and if a bidder (s) is / are or a contractor(s) was / were involved in collusive bidding (or bid rigging).
- 34.2. If a bidder(s) or contractor(s), based on reasonable grounds or evidence obtained by the purchaser, has / have engaged in the restrictive practice referred to above, the purchaser may refer the matter to the Competition Commission for investigation and possible imposition of administrative penalties as contemplated in the Competition Act No. 89 of 1998.
- 34.3. If a bidder(s) or contractor(s), has / have been found guilty by the Competition Commission of the restrictive practice referred to above, the purchaser may, in addition and without prejudice to any other remedy provided for, invalidate the bid(s) for such item(s) offered, and / or terminate the contract in whole or part, and / or restrict the bidder(s) or contractor(s) from conducting business with the public sector for a period not exceeding ten (10) years and / or claim damages from the bidder(s) or contractor(s) concerned.

SPECIAL CONDITIONS OF CONTRACT

1. AMENDMENT OF CONTRACT

- 1.1. Any amendment to or renunciation of the provisions of the contract shall at all times be done in writing and shall be signed by both parties.

2. CHANGE OF ADDRESS

- 2.1. Bidders must advise the Department of Health (institution where the offer was submitted) should their address (domicilium citandi et executandi) details change from the time of bidding to the expiry of the contract.

3. GENERAL CONDITIONS ATTACHED TO THIS QUOTATION

- 3.1. The Department is under no obligation to accept the lowest or any quote.
- 3.2. The Department reserves the right to communicate in writing with vendors in cases where information is incomplete or where there are obscurities regarding technical aspects of the offer, to obtain confirmation of prices or preference claims in cases where it is evident that a typing, written, transfer or unit error has been made, to investigate the vendor's standing and ability to complete the supply/service satisfactorily.
- 3.3. **ALL DECISIONS TAKEN BY THE DEPARTMENT ARE FINAL, INCLUDING THE AWARD OR CANCELLATION OF THIS QUOTATION.**
- 3.4. The price quoted must include VAT (if VAT vendor).
- 3.5. Should a bidder become a VAT vendor after award or during the implementation of a contract, they may not request the VAT percentage from the Department as the service provider made an offer during the period they were not registered as a VAT vendor. The Department is only liable for any VAT from registered VAT vendors as originally stated on the quotation document.
- 3.6. The bidder must ensure the correctness & validity of the quotation:
- (i) that the price(s), rate(s) & preference quoted cover all for the work/item (s) & accept that any mistakes regarding the price (s) & calculations will be at the bidder's risk;
- (ii) it is the responsibility of the bidder to confirm receipt of their quotation and to keep proof thereof.
- 3.7. The bidder must accept full responsibility for the proper execution & fulfilment of all obligations conditions devolving on under this agreement, as the Principal (s) liable for the due fulfilment of this contract.
- 3.8. This quotation will be evaluated based on the 80/20 points system, specification, correctness of information and/or functionality criteria. All required documentation must be completed in full and submitted.
- 3.9. Offers must comply strictly with the specification.
- 3.10. Only offers that meet or are greater than the specification will be considered.
- 3.11. Late offers will not be considered.
- 3.12. Expired product/s will not be accepted. All products supplied must be valid for a minimum period of six months.
- 3.13. Used/ second-hand products will not be accepted.
- 3.14. A bidder not registered on the Central Suppliers Database or whose verification has failed will not be considered.
- 3.15. All delivery costs must be included in the quoted price for delivery at the prescribed destination.
- 3.16. Only firm prices will be accepted. Such prices must remain firm for the contract period. Non-firm prices (including rates of exchange variations) will not be considered.
- 3.17. In cases where different delivery points influence the pricing, a separate pricing schedule must be submitted for each delivery point.
- 3.18. In the event of a bidder having multiple quotes, only the cheapest according to specification will be considered.
- 3.19. Verification will be conducted to identify if bidders have multiple companies and are cover-quoting for this bid.
- 3.20. In such instances, the Department reserves the right to immediately disqualify such bidders as cover-quoting is an offence that represents both corruption and acquisition fraud.

4. SPECIAL INSTRUCTIONS AND NOTICES TO BIDDERS REGARDING THE COMPLETION OF THIS QUOTATION.

- 4.1. Unless inconsistent with or expressly indicated otherwise by the context, the singular shall include the plural and vice versa and with words importing the masculine gender shall include the feminine and the neuter.
- 4.2. Under no circumstances whatsoever may the quotation/bid forms be retyped or redrafted. Photocopies of the original bid documentation may be used, but an original signature must appear on such photocopies.
- 4.3. The bidder is advised to check the number of pages and to satisfy himself that none are missing or duplicated.
- 4.4. Quotations submitted must be complete in all respects. However, where it is identified that information in a bidder's response, which does not affect the preference points or price, is incomplete in any respect, the said supplier meets all specification requirements and scores the highest points in terms of preference points and price, the Department reserves the right to request the bidder to complete/ submit such information.
- 4.5. Any alteration made by the bidder must be initialled; failure to do so may render the response invalid.
- 4.6. Use of correcting fluid is prohibited and may render the response invalid.
- 4.7. Quotations will be opened in public as soon as practicable after the closing time of quotation.
- 4.8. Where practical, prices are made public at the time of opening quotations.
- 4.9. If it is desired to make more than one offer against any individual item, such offers should be given on a photocopy of the page in question. Clear indication thereof must be stated on the schedules attached.
- 4.10. The Department is under no obligation to pay suppliers in part for work done if the supplier can no longer for fulfill their obligation.

5. SPECIAL INSTRUCTIONS REGARDING HAND DELIVERED QUOTATIONS

- 5.1. Quotation shall be lodged at the address indicated not later than the closing time specified for their receipt, and in accordance with the directives in the quotation documents.
- 5.2. Each quotation shall be addressed in accordance with the directives in the quotation documents and shall be lodged in a separate sealed envelope, with the name and address of the bidder, the quotation number and closing date indicated on the envelope. The envelope shall not contain documents relating to any quotation other than that shown on the envelope. If this provision is not complied with, such quotations/bids may be rejected as being invalid.
- 5.3. All quotations received in sealed envelopes with the relevant quotation numbers on the envelopes are kept unopened in safe custody until the closing time of the quotation/bids. Where, however, a quotation is received open, it shall be sealed. If it is received without a quotation/bid number on the envelope, it shall be opened, the quotation number ascertained, the envelope sealed and the quotation number written on the envelope.
- 5.4. A specific box is provided for the receipt of quotations, and no quotation found in any other box or elsewhere subsequent to the closing date and time of quotation will be considered.



14. TERMINATION FOR DEFAULT

- 14.1. The purchaser, without prejudice to any other remedy for breach of contract, by written notice of default sent to the supplier, may terminate this contract in whole or in part:
- (i) if the supplier fails to deliver any or all of the goods within the period(s) specified in the contract,
 - (ii) if the supplier fails to perform any other obligation(s) under the contract; or
 - (iii) if the supplier, in the judgment of the purchaser, has engaged in corrupt or fraudulent practices in competing for or in executing the contract.
- 14.2. In the event the purchaser terminates the contract in whole or in part, the purchaser may procure, upon such terms and in such manner as it deems appropriate, goods, works or services similar to those undelivered, and the supplier shall be liable to the purchaser for any excess costs for such similar goods, works or services.
- 14.3. Where the purchaser terminates the contract in whole or in part, the purchaser may decide to impose a restriction penalty on the supplier by prohibiting such supplier from doing business with the public sector for a period not exceeding 10 years.
15. THE DEPARTMENT RESERVES THE RIGHT TO PASS OVER ANY QUOTATION WHICH FAILS TO COMPLY WITH THE ABOVE.

PREFERENCE POINTS CLAIM FORM IN TERMS OF THE PREFERENTIAL PROCUREMENT REGULATIONS 2022

This preference form must form part of all tenders invited. It contains general information and serves as a claim form for preference points for specific goals.

NB: BEFORE COMPLETING THIS FORM, TENDERERS MUST STUDY THE GENERAL CONDITIONS, DEFINITIONS AND DIRECTIVES APPLICABLE IN RESPECT OF THE TENDER AND PREFERENTIAL PROCUREMENT REGULATIONS, 2022

1. GENERAL CONDITIONS

- 1.1. The following preference point systems are applicable to invitations to tender:
- the 80/20 system for requirements with a Rand value of up to R50 000 000 (all applicable taxes included); and
 - the 90/10 system for requirements with a Rand value above R50 000 000 (all applicable taxes included).

1.2. The applicable preference point system for this tender is the 80/20 preference point system.

- 1.3. Points for this tender (even in the case of a tender for income-generating contracts) shall be awarded for:
- (a) Price; and
 - (b) Specific Goals.

1.4. The maximum points for this tender are allocated as follows:

	POINTS
PRICE	80
SPECIFIC GOALS	20
Total points for Price and Specific Goals	100

1.5. Failure on the part of a tenderer to submit proof or documentation required in terms of this tender to claim points for specific goals with the tender, will be interpreted to mean that preference points for specific goals are not claimed.

1.6. The organ of state reserves the right to require of a tenderer, either before a tender is adjudicated or at any time subsequently, to substantiate any claim in regard to preferences, in any manner required by the organ of state.

4. DEFINITIONS

- (a) "tender" means a written offer in the form determined by an organ of state in response to an invitation to provide goods or services through price quotations, competitive tendering process or any other method envisaged in legislation;
- (b) "price" means an amount of money tendered for goods or services, and includes all applicable taxes less all unconditional discounts;
- (c) "rand value" means the total estimated value of a contract in Rand, calculated at the time of bid invitation, and includes all applicable taxes;
- (d) "tender for income-generating contracts" means a written offer in the form determined by an organ of state in response to an invitation for the origination of income-generating contracts through any method envisaged in legislation that will result in a legal agreement between the organ of state and a third party that produces revenue for the organ of state, and includes, but is not limited to, leasing and disposal of assets and concession contracts, excluding direct sales and disposal of assets through public auctions; and
- (e) "the Act" means the Preferential Procurement Policy Framework Act, 2000 (Act No. 5 of 2000).

3. FORMULAE FOR PROCUREMENT OF GOODS AND SERVICES

3.1. POINTS AWARDED FOR PRICE

3.1.1. THE 80/20 OR 90/10 PREFERENCE POINT SYSTEMS

A maximum of 80 or 90 points is allocated for price on the following basis:

$$\begin{array}{ccc}
 \text{80/20} & & \text{90/10} \\
 \text{Ps} = 80 \left(1 - \frac{\text{Pt} - \text{Pmin}}{\text{Pmin}} \right) & \text{OR} & \text{Ps} = 90 \left(1 - \frac{\text{Pt} - \text{Pmin}}{\text{Pmin}} \right)
 \end{array}$$

Where
 Ps = Points scored for price of tender under consideration
 Pt = Price of tender under consideration
 Pmin = Price of lowest acceptable tender

3.2. FORMULAE FOR DISPOSAL OR LEASING OF STATE ASSETS AND INCOME GENERATING PROCUREMENT

3.2.1. POINTS AWARDED FOR PRICE

A maximum of 80 or 90 points is allocated for price on the following basis:

$$\begin{array}{ccc}
 \text{80/20} & & \text{90/10} \\
 \text{Ps} = 80 \left(1 + \frac{\text{Pt} - \text{Pmax}}{\text{Pmax}} \right) & \text{OR} & \text{Ps} = 90 \left(1 + \frac{\text{Pt} - \text{Pmax}}{\text{Pmax}} \right)
 \end{array}$$

Where
 Ps = Points scored for price of tender under consideration
 Pt = Price of tender under consideration
 Pmax = Price of highest acceptable tender



4. POINTS AWARDED FOR SPECIFIC GOALS

- 4.1. In terms of Regulation 4(2); 5(2); 6(2) and 7(2) of the Preferential Procurement Regulations, preference points must be awarded for specific goals stated in the tender. For the purposes of this tender the tenderer will be allocated points based on the goals stated in table 1 below as may be supported by proof/ documentation stated in the conditions of this tender:
- 4.2. In cases where organs of state intend to use Regulation 3(2) of the Regulations, which states that, if it is unclear whether the 80/20 or 90/10 preference point system applies, an organ of state must, in the tender documents, stipulate in the case of—
- (a) an invitation for tender for income-generating contracts, that either the 80/20 or 90/10 preference point system will apply and that the highest acceptable tender will be used to determine the applicable preference point system; or
 - (b) any other invitation for tender, that either the 80/20 or 90/10 preference point system will apply and that the lowest acceptable tender will be used to determine the applicable preference point system,
- then the organ of state must indicate the points allocated for specific goals for both the 90/10 and 80/20 preference point system.

Table 1: Specific goals for the tender and points claimed are indicated per the table below.

Note to tenderers: The tenderer must indicate how they claim points for each preference point system.

The specific goal/s allocated points in terms of this tender	Number of points allocated (80/20 system)	Number of points claimed (80/20 system)
Promotion of South African owned enterprises	20	

DECLARATION WITH REGARD TO COMPANY/FIRM

4.3. Name of company/firm: _____

4.4. Company registration number: _____

4.5. TYPE OF COMPANY/ FIRM [tick applicable box]

- Partnership/Joint Venture / Consortium
- One-person business/sole propriety
- Close corporation
- Public Company
- Personal Liability Company
- (Pty) Limited
- Non-Profit Company
- State Owned Company

4.6. I, the undersigned, who is duly authorised to do so on behalf of the company/firm, certify that the points claimed, based on the specific goals as advised in the tender, qualifies the company/ firm for the preference(s) shown and I acknowledge that:

- i) The information furnished is true and correct;
- ii) The preference points claimed are in accordance with the General Conditions as indicated in paragraph 1 of this form;
- iii) In the event of a contract being awarded as a result of points claimed as shown in paragraphs 1.4 and 4.2, the contractor may be required to furnish documentary proof to the satisfaction of the organ of state that the claims are correct;
- iv) If the specific goals have been claimed or obtained on a fraudulent basis or any of the conditions of contract have not been fulfilled, the organ of state may, in addition to any other remedy it may have –
 - (a) disqualify the person from the tendering process;
 - (b) recover costs, losses or damages it has incurred or suffered as a result of that person's conduct;
 - (c) cancel the contract and claim any damages which it has suffered as a result of having to make less favourable arrangements due to such cancellation;
 - (d) recommend that the tenderer or contractor, its shareholders and directors, or only the shareholders and directors who acted on a fraudulent basis, be restricted from obtaining business from any organ of state for a period not exceeding 10 years, after the audi alteram partem (hear the other side) rule has been applied; and
 - (e) forward the matter for criminal prosecution, if deemed necessary.

SIGNATURE(S) OF TENDERER(S)

SURNAME AND NAME: _____

DATE: _____

ADDRESS: _____

PROVINCE OF KWAZULU-NATAL

DEPARTMENT OF HEALTH

HEALTH TECHNOLOGY SERVICES (H.T.S)

SPECIFICATION FOR:

Suction Unit, LABORATORY, DENTAL

Description of Unit: A Dental Lab Suction Unit to be used in the dental unit.

SPECIFICATION: H.T.S.

Intended Areas of Use:
Dr PIXLEY KÁ ISAKA
SEME MEMORIAL
HOSPITAL

Expert Advisory Group:

Bidder to Sign and Date every Page

NB: GENERAL CLAUSES THAT DO NOT APPLY TO THE EQUIPMENT OFFERED MUST BE ANSWERED "COMPLIES", "DOES NOT COMPLY" OR ANSWER THE QUESTION UNDER BIDDERS COMMENTS.

NO	SPECIFICATION	BIDDERS COMMENTS: STATE "COMPLIES" OR "DOES NOT COMPLY" OR ANSWER THE QUESTION.
Clause G1.1	<p>The space provided under "Bidder's Comments" for each clause must be used for this purpose. Bidders who neglect to provide answers to every Clause in this Bid Specification will be disqualified. Bidders must note that abbreviated answers e.g. N/A etc. will not be accepted.</p> <p>Bidders must also note that no part of any clause/s in this Bid Specification may be altered. Where there are traces of alterations found to any clauses in this Bid Specification during Adjudication, the Adjudication Committee will reserve the right to disqualify the bidder.</p> <p>The Bidder must clearly indicate if their offered product complies with the stated requirements, by indicating, "Complies" or "Does not comply" or answer the question next to the corresponding clause.</p>	
Clause G2	All responses must be clear and legible.	
Clause G3	a. GUARANTEE:	
Clause G3.1	<p>All Equipment, Materials and Workmanship provided under this Contract must be Guaranteed for a minimum period of twenty four (24) Months. The successful bidder must arrange with the respective Hospital / Institution and the Health Technology Services before Commissioning the Equipment at the respective Hospital / Institution.</p> <p>The bidder to note that the Guarantee period must only take effect upon successful Commissioning at the respective Hospital / Institution and</p> <p>b. successful test and acceptance by the Health Technology Services.</p>	
Clause G3.2	c. State percentage guaranteed up time of machine (Should be at least 99%).	
Clause G3.3	The recommended number of services, per annum, by the manufacturer, must be included during and up until the end of the guarantee period and all costs related to the provision of such service/s will be for the bidders account.	
Clause G3.4	The bidder must state the number of services that will be provided during and up to the end of the guarantee period.	
Clause G3.5	Any breakdown during the guarantee period must include all cost (spares, labour, travelling and sundries) for any prescribed maintenance services (major and minor) as well as any QA testing that is required by Department Health's Radiation Control Board during the guarantee period.	
Clause G3.6	Travelling and Travelling Time costs must be included during the Guarantee Period?	
Clause G3.7	Spares that may be required during the Guarantee Period will be supplied at the expense of the bidder.	
Clause G3.8	Downtime during the Guarantee Period must extend the Guarantee time on a Day-to-Day basis.	
Clause G3.9	Any repetition (twice or more) of the same type of fault that first occurred during the guarantee period must be considered as a repair under guarantee	

Bidder to Sign and Date every Page

SPECIFICATION: H.T.S.

Page 2 of 12

NO	SPECIFICATION	BIDDERS COMMENTS: STATE "COMPLIES" OR "DOES NOT COMPLY" OR ANSWER THE QUESTION.
	if it occurs within the first year after the expiry of the guarantee period.	
Clause G3.10	The same guarantee conditions must apply to replacement units.	
Clause G4	The successful bidder must Supply, Deliver, Commission and install the Equipment and will be required to demonstrate the product to the applicable Staff at the Institution and costs for the abovementioned must be included in the final bid price.	
Clause G5	Bidders must offer the Health Technology Service's In House Technicians a demonstration of the product, which will enable the Health Technology Service's In House Technicians to become acquainted with the equipment during the Test and Acceptance phase.	
Clause G6	Preference may be given to a make and model that has been technically and clinically evaluated by a Government Institution within the R.S.A. (Attach proof of evaluation where applicable).	
Clause G7	The successful bidder must provide the Health Technology Service's in house Technicians, full training in the calibration, maintenance, service and repair of the product down to PCB Level. N.B. The quality and level of the training must be equivalent to the manufacturer's original factory training and any costs incurred to provide this training will be for the bidders account. A Certificate of Competency must be issued on completion of the training. The Training must be provided by the successful bidder to the Health Technology Services within three months from date of initial supply and delivery of the equipment to the end user.	
Clause G8	SERVICING:	
Clause G8.1	The bidder must have a well established service and repair facility in KwaZulu-Natal, to service, repair and calibrate the equipment offered. (The Health Technology Services reserves the right to inspect the premises).	
Clause G8.2	If the service is subcontracted to a local service agent, a signed copy of the letter of appointment by the bidder and acceptance by the subcontractor must be submitted with this bid / quotation. (The Health Technology Services reserves the right to inspect the premises).	
Clause G8.3	State Number of other medical equipment "Repair & Service" Agencies (excluding your Agency) represented by the subcontractor.	
Clause G8.4	Supply the Name, Address and Telephone Number/s of the Local Service Department within KwaZulu-Natal.	

Bidder to Sign and Date every Page

NO	SPECIFICATION	BIDDERS COMMENTS: STATE "COMPLIES" OR "DOES NOT COMPLY" OR ANSWER THE QUESTION.
	<p>Please supply details as follows:</p> <p>Company name : _____</p> <p>Physical Address : _____</p> <p>_____</p> <p>Telephone Number/s : _____</p> <p>Fax number : _____</p> <p>_____</p> <p><i>(The Health Technology Services reserves the right to inspect the premises).</i></p>	
Clause G8.5	State if the Technician(s) are in the direct employ of the bidder or a subcontractor.	
Clause G8.6	The bidder must supply information on the number of Technicians permanently working in KwaZulu-Natal and their names and contact Telephone Number/s must be listed (Directly employed or subcontracted) in an annexure to the bid document.	
Clause G8.7	The Technician(s) must be original equipment manufacturer trained to deal with the service, repair and calibration of the equipment quoted on. N.B. Proof of original equipment manufacturer training must be submitted with this bid / quotation offer.	
Clause G8.8	The Institution's requirement is that a technician is available within a reasonable time (24 hours) to attend to malfunctioning equipment. The Bidder to state the technician per install base e.g. equipment ratio to technician ratio, e.g. 1 technician per 10 pieces of equipment.	
Clause G9	The bidder must Guarantee that no additional equipment will be required for the successful operation of the equipment bided for on delivery and commissioning at the customers site. A starter pack of all essential accessories and disposables must be supplied so that the unit can be put into immediate operation. The cost of the starter pack must be included in the final bid price.	
Clause G10	Optional accessories must be offered for separately on the Schedule of optional accessories found at the end of this Technical specification, indicating catalogue numbers, correct descriptions and Prices inclusive of V.A.T.	
Clause G11	Bidder must state the period of time for delivery of Spare parts following the receipt of an official order as follows: 0 to 10 days; 0 to 20 days; 0 to	

Bidder to Sign and Date every Page

NO	SPECIFICATION	BIDDERS COMMENTS: STATE "COMPLIES" OR "DOES NOT COMPLY" OR ANSWER THE QUESTION.
	30 days; 0 to 60 days; 0 to 90 days; more than 90 days.	
Clause G11.1	The Bidder must supply with this offer a list together with the quantities of spares held locally in stock in the KwaZulu-Natal Province on the offered product. The Health Technology Services reserves the right to inspect the premises to verify the spares stock held.	
Clause G12	The bidder must include a firm commitment in writing, which must be attached with this bid that they would supply spares, components, upgrades, complete original service / repair manual, technical support and ongoing training support for technical staff of the Health Technology Services and the end users Department of Health, KwaZulu-Natal throughout the life cycle of the equipment offered.	
Clause G13	Spares must be available for 10 (Ten) years from the original equipment manufacturer for the product offered.	
Clause G14	The successful bidder must include in their offer at no extra cost to the final bid price:	
Clause G14.1	Complete user Operation / Maintenance Manual x 2 (two) Book / File; CD; DVD copies in English Language.	
Clause G14.2	Complete ORIGINAL Service / Repair Manual x 2 (two) Book / File; CD; DVD copies in English Language which MUST include the following information: Fault Finding Guide, Circuit Diagrams / Schematics, Circuit Descriptions, and PCB Layouts, Calibration Guide, Part Numbers and exploded diagram of Mechanical Parts / Panels.	
Clause G14.3	All the above Manuals must be properly bound in either a Book, File or CD form.	
Clause G14.4	The Bidder must supply all software (including software-keys and / or passwords) to allow for trouble shooting (faultfinding), maintenance, calibrations, repairs and services at no additional cost.	
Clause G15	Does your Company have an after hour service back up facility.	
Clause G16	If the equipment is taken away for repairs, a loan set must be made available on request to the end user by the Institution until the Institution's unit is returned. All costs incurred for providing the loan unit must be for the bidders account.	
Clause G17	Bidder must bid on the latest model and Technology that fully complies with this Technical Specification.	
Clause G17.1	The Bidder must state how long this technology has been commercially available (state when the model offered was launched).	
Clause G17.2	The bidder must state if there are any near future updates expected.	
Clause G18	The successful bidder must maintain a system for notifying and providing users with Updates, Modifications, new Software Releases and Recalls.	

Bidder to Sign and Date every Page

SPECIFICATION: H.T.S.

Page 5 of 12

NO	SPECIFICATION	BIDDERS COMMENTS: STATE "COMPLIES" OR "DOES NOT COMPLY" OR ANSWER THE QUESTION.
Clause G19	The successful bidders must arrange for an acceptance test of the equipment with the Manager of the Health Technology Services and the Hospital Manager. A copy of the original answered Specification, copy of the invoice order and relevant paperwork (PH form) from the receiving Hospital must be submitted with the equipment when the ACCEPTANCE TEST is to be undertaken.	
Clause G20	Where equipment bided for, operates off 220 Volt, 50Hz a.c. supply, bidder must ensure that the product being quoted for is fitted with a 15 Amp approved mains plug top, which is held together by two screws.	
Clause G21	The unit must comply with an acceptable International Electrical Safety Standard such as IEC 60601-1 and 60601-1-2 for Medical Equipment where the quoted equipment operates off an electrical supply.	
Clause G22	All equipment, the installation and any alteration / additions must comply with:	
Clause G22.1	The Occupational Health and Safety Act (1993);	
Clause G22.2	The wiring code S.A.N.S. 0142.	
Clause G23	Units being quoted for must be CE Certified. (Attach a copy of certification). The make and the model offered must be reflected on the certificate.	
Clause G24	The Mains Cable of the unit being quoted for must be the Hospital Grade Type and it must be a minimum length of (3) three metres. N.B. The mains cable of the unit being quoted for must be S.A.N.S. colour coded.	
Clause G25	The equipment being quoted for must be protected against Electro magnetic Interference.	
Clause G26	Only new equipment must be quoted for. Refurbished and reconditioned equipment being quoted on will not be accepted.	
Clause G27	Bidders must note that dedicated test equipment, spare parts and any special tooling required for the upkeep and maintenance of the equipment quoted on must be available to the Health Technology Services to procure if requested.	
Clause G28	All the necessary calibration and maintenance software, where applicable, required to maintain and calibrate the equipment, must be supplied with the equipment to the Health Technology Services at no extra cost to the final bid price.	
Clause G29	NB. HAZARDOUS SUBSTANCE ACT:	
Clause G29.1	If this type of equipment / apparatus appears on the schedule of Hazardous Substances issued by the Directorate: Health Technology of the Department of Health, a license in terms of the Act on Hazardous Substances (Act. 15/1973) must be submitted with this bid document. The license must be registered under the bidders name or a letter of joint venture must be submitted by the license holder where the license is not in the name of the bidder. Bidders that neglect to submit a license will not be considered.	
Clause G29.2	Bidder must state the Radiation Control licence number of the make and model of equipment offered.	License No:
Clause G29.3	Where it has been established by the bidder that the equipment offered does not require Radiation Control licence, proof from the Radiation Control	

Bidder to Sign and Date every Page

NO	SPECIFICATION	BIDDERS COMMENTS: STATE "COMPLIES" OR "DOES NOT COMPLY" OR ANSWER THE QUESTION.
	authority must be submitted with this bid document.	
Clause G30	The system offered must comply fully with or exceed all of the minimum specification requirements per the Technical Clauses.	
Clause G31	The offer submitted must be supported by descriptive literature, colour pamphlets, colour brochures and technical data sheets applicable to the offer (i.e. supporting information for all components of the system) must accompany the bid, failing which the bid will not be considered.	
Clause G32	The equipment and any accessories ordered from the successful bidder will be delivered, installed, tested, calibrated, demonstrated (including specified training) and commissioned in the specific Hospital at the expense of the successful Bidder, prior to full payment being made.	
Clause G33	All prices are to include V.A.T. and must be quoted in the South African currency. The price must be valid for a period of 180 days from closing date of bid.	
Clause G34	If the product offered is unknown to the Department, the Department reserves the right to have the unit evaluated by a team of Technical and Clinical experts with regards to its functionality, performance and quality. The decision of this committee will be used as a motivation for the evaluation and recommendation of the bid. For this reason a demonstration unit must be readily available, or the bidder must take arrange for demonstration with representatives of the Department for the equipment offered at a site within South Africa where a same make and model of unit is installed and is in full clinical operation. The cost of this site visit is for the account of the bidder and it must therefore not place any obligation on the Department to procure from the bidder.	
Clause G35	The Institution requesting the unit reserves the right to clinically trial and evaluate the unit in order to ensure that the unit meets the clinical requirements of the Department before adjudication of the bid.	
Clause G36	UPGRADEABILITY WHERE APPLICABLE:	
Clause G36.1	Bidders are to state the policy with regard to future software updates and the costs that will be involved.	
Clause G36.2	The Bidder to state what hardware and software will be available, with costs and projected dates.	
Clause G37	UPGRADE POLICY:	
Clause G37.1	All future upgrades (hardware and software) involving <u>patient safety</u> must be offered at no additional cost.	
Clause G37.2	All future upgrades removing software viruses from existing software must be supplied at no cost.	
Clause G37.3	Any upgrade before or after installation of the equipment involving additional cost must be brought to the attention of the Manager, Health Technology Services.	
Clause G38	The Bidder must indicate the expected life of their offered unit and software in years.	
Clause G39	Registered product with SAHPRA (South African Health Products Regulatory Authority) at time of tender. Failure to submit confirmation will result to disqualification. Please state SAHPRA Licence number to distribute the product	License No:

Bidder to Sign and Date every Page

TECHNICAL SPECIFICATION.

Clause T1

This bid calls for the supply of a dental lab, suction unit for the use in the dental unit in the hospital.

BIDDER'S COMMENTS:

Clause T2

Key requirements of the offered units:

	Description	Bidders comments (complies or not compliant)
2.1	One-stage, high speed and high power motor	
2.2	Three filtering stage: paper bag, nylon bag and long-lasting polysterene filtering cartridge.	
2.3	Suction group protected by a a plastic housing; stainless steel structure	
2.4	Wheel-equipped, easy to move	
2.5	Possibility to connect two units at the same time	
2.6.	Universal hose adapter for easy connection	
2.7.	Must be able to serve the following units: Dry model trimmer, finishing instrument, stump separating unit, sandblaster, working bench	
2.8.	Connection pipe \varnothing 36x30 – 3m length	
2.9.	Filtering degree 1 μ	
2.10.	Motor power 1000W	
2.11.	Suction volume 150m3/h	
2.12.	Noise level <69 dB (A)	
2.13.	Line tension 230v A.C. 50 Hz (different tensions on request)	
2.14.	Length 380 mm	
2.15	Width 380 mm	
2.16	Height 620 mm	

BIDDER'S COMMENTS:

Bidder to Sign and Date every Page

**Clause T3
RADIATION CONTROL LICENCE**

Bidders must state the Radiation Control Licence number of the make and model of the equipment offered. If this type of equipment/apparatus appears on the schedule of Hazardous Substances, issued by the Directorate: Radiation Control of the Department of Health, a licence in terms of the Act on Hazardous Substances (Act 15/1973) must be submitted with the bid document. The licence must be registered under the bidders name or the letter of Joint Venture must be submitted by the Licence holder where the licence is not in the name of the bidder.

BIDDERS THAT NEGLECT TO SUBMIT A LICENCE WILL BE DISQUALIFIED

BIDDER'S COMMENTS:

**Clause T4
GUARANTEE / WARRANTY**

The bidder must provide a minimum of 24-month warranty / guarantee period for the unit offered.

NB: The bidder must state the duration of warranty/guarantee period for the Transducers supplied with the main monitor unit at no extra cost to the Department of Health Institution.

BIDDER'S COMMENTS:

**Clause T5
MAINTENANCE AND SERVICE AGREEMENT**

Upon termination of the guarantee period the DOH Health Technology Services Component Technicians will be responsible for the maintenance, repair and service of the unit offered.

BIDDER'S COMMENTS:

Bidder to Sign and Date every Page

DETAILED TECHNICAL SPECIFICATION

GENERAL INFORMATION REQUIRED

FAILURE TO COMPLETE THIS PART WILL DISQUALIFY THE BIDDER

Make: _____

Model Number / Part Number for: _____

Country of Origin _____

Delivery Period _____

R S A Import Permit Holder (License No) _____

Bidder _____

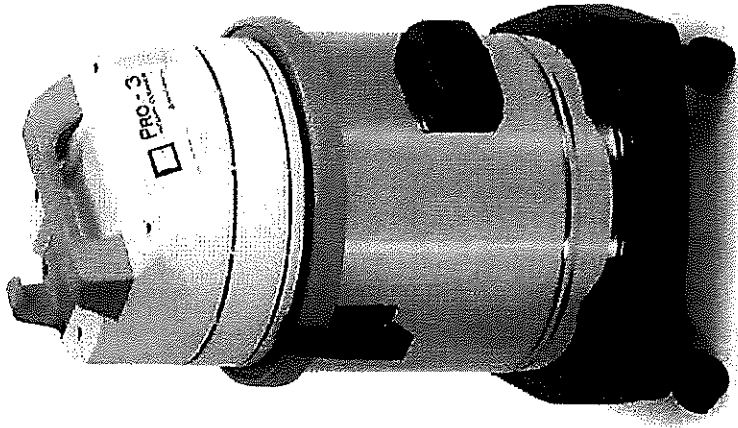
Signature _____ Date _____

Address _____

Telephone No _____ Fax No. _____

Contact Person _____
(Please Print)

Bidder to Sign and Date every Page



PROVINCE OF KWAZULU-NATAL
DEPARTMENT OF HEALTH
DR. PIKLETI KHUMALO HOSPITAL
2023-07-17
PRIVATE BAG X011
KWANA LASHU 4380

END-USER SPECIFICATION FORM

Quote Number: _____

Item Description: LAB SUCTION UNIT

Department/Section: DENTAL Purpose of Item: SUCTION OF DUST AND SMALL DEBRIS

1. Pre-qualification criteria if any:

1.1. Is the item required to have a regulatory body certification (e.g. SABS, SANS, SANAS, ISO, CIDB, etc.)? Yes / **No**
 Regulatory Body / certification required if Yes: _____

1.2. Is a compulsory site inspection / briefing session required? Yes / **No**
 if Yes, specify: Date _____ / _____ / _____ Time _____:_____ Place _____

1.3. Is local production and content part of the quote? Yes / **No**
 if Yes, specify: _____

1.4. Provisions of section 4(1)(a) of the PPPFA Regulations, 2017 if applicable? Yes / **No**
 if Yes, specify: _____

1.5. Liability Cover insurance? Yes / **No**
 if Yes, specify: _____

2. What is the specification of the required item?

List specifications to be advertised	Comment
1. HIGH SPEED AND HIGH POWER MOTOR	
2. THREE FILTERING STAGE	
3. POSSIBILITY TO CONNECT TWO UNITS AT THE SAME TIME	
4. UNIVERSAL HOSE ADAPTER FOR EASY CONNECTION	
5.	

3. Does a sample need to be submitted? Yes / **No (select option 3.1 or 3.2)**

3.1. Deadline for submission if Yes: Date _____ / _____ / _____ Time _____:_____ Place _____

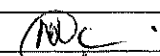
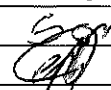
or
 3.2. Specify that samples must be made available when requested in writing. Yes or No

4. Penalties to be noted by the suppliers:

4.1. If the supplier fails to deliver any or all of the goods or to perform the services within the period(s) specified in the contract, the purchaser shall, without prejudice to its other remedies under the contract, **deduct from the contract price**, as a penalty, a sum calculated on the delivered price of the delayed goods or unperformed services using the current prime interest rate calculated for each day of the delay until actual delivery or performance.

5. What is the evaluation criteria / special terms and conditions to be advertised?

List evaluation criteria / special terms and conditions to be advertised (if applicable)	
1. Pre-qualification criteria	Does the offer meet the pre-qualification criteria?
2. Administrative	Does the offer comply to stipulated administrative requirements?
3. Conformance:	Was the product made or service performed to specifications?
4. Performance:	Will/does the product/service fulfil its performance obligation, in a manner that releases the supplier from all liabilities under the contract?
5. Features:	What characteristics does the product or service have?
6. Reliability:	How long can a product go between failures and the need for maintenance? (guarantee)
7. Durability:	What is the useful life for the product? How will the product hold up under extended use?
8. Serviceability:	How easy is it to repair, maintain or support the product or service? (customer support)
9. Ability & Capacity	The ability and capacity of the vendor to execute the contract
10. Preference points	Preferential Procurement System (80/20) if applicable

Name of End-user (in full)	NOMPUMELELO NDWANDWE	Name of SCM Rep (in full)	Siyabonga Moko
Designation / Rank (in full)	CLINICAL MANAGER: DENTAL	Designation/ Rank (in full)	ESMP
Signature		Signature	
Date	06/06/2023	Date	09/07/2023