



Quotation Advert

Opening Date: 15/07/2024
Closing Date: 17/07/2024
Closing Time: 11:00

INSTITUTION DETAILS

Institution Name: Amajuba District Office
Province: KwaZulu-Natal
Department of entity: Department of Health
Division or section: Supply Chain Management
**Place where goods/
service is required:** Amajuba District
Date Submitted: 12/07/2024

ITEM CATEGORY AND DETAILS

Quotation number: AMA 043/24/25
Item Category: Goods
Item Description: UNIFORM – re advertised

COMPULSORY BRIEFING SESSION / SITE VISIT

Select Type: Not applicable
Time: Not applicable
Venue: Not applicable


QUOTES CAN BE COLLECTED FROM: KZN Health Website and AMAJUBA DISTRICT OFFICE, 38 VOORTREKKER STREET, NEWCASTLE, 2940

QUOTATION SHOULD BE DELIVERED TO: AMAJUBA DISTRICT OFFICE, 38 VOORTREKKER STREET, NEWCASTLE, 2940 OR E-MAILED TO Amajuba.SCMQuotations@kznhealth.gov.za

ENQUIRIES REGARDING ADVERT MAY BE DIRECTED TO:

Name: Khaya Mthethwa/ S'nenhlanhla Mkhize
Email: Amajuba.SCMQuotations@kznhealth.gov.za
Contact number: 034 328 7030/7054

Finance Manager Name: C.N Khumalo

Finance Manage signature: 

OFFICIAL PRICE PAGE FOR QUOTATIONS OVER R2 000.01

QUOTE NUMBER: ZNQ / AMA / 043 / 24 / 25

DESCRIPTION: UNIFORM

THE BELOW PREFERENCE POINTS WILL BE ALLOCATED IN COMPLIANCE WITH THE DEPARTMENTAL PREFERENCE PROCUREMENT POLICY (KNOWN AS SCM PPP):	POINTS ALLOCATED
Gender: Full points allocated to companies who are at least 100% Owned by Black Africans who are Women	20

ICN NUMBER	QUANTITY	UNIT OF MEASURE	DESCRIPTION	BRAND & MODEL	COUNTRY OF MANUFACTURE	PRICE	
						R	C
	As per		TOTAL UNIFORM				
	attached		(specifications attached)				
	list						
			NB : Awarded supplier will be requires to produce sample before order.				
			full points allocated to Companies who are at least 100% owned by Black Africans who are Women				
			Ownership verification may be conducted through CSD				
			(FAXED OR EMAILED OR HAND DELIVERED QUOTATIONS ARE ACCEPTED)				
			Submit execution plan letter as indicated (no.5) on evaluation criteria form attached.				
			Please sign the evaluation criteria attached.				
VALUE ADDED TAX @ 15% (Only if VAT Vendor)							
TOTAL QUOTATION PRICE (VALIDITY PERIOD 90 Days)							

DOES THIS OFFER COMPLY WITH THE SPECIFICATION? YES / NO
 IS THE PRICE FIRM? YES / NO
 DOES THE ARTICLE CONFORM TO THE S.A.N.S. / S.A.B.S. SPECIFICATION? YES / NO

STATE DELIVERY PERIOD (E.G. 3 DAYS, 1 WEEK) _____

NAME OF BIDDER: _____

SIGNATURE OF BIDDER: _____
 [By signing this document, I hereby agree to all terms and conditions]

CAPACITY UNDER WHICH THIS QUOTE IS SIGNED: _____

DATE: _____

UNIFORM SPECIFICATION

ITEM DESCRIPTION	SIZE	QUANTITY	TOTAL
Navy trouser, cotton stretch fabric, straight leg fit, waistband with belt loop, zip and button closure.	38	2	
	32	2	
Navy golfer T-shirt, cotton stretch fabric, regular fit , short sleeved, must have left front pocket, must be printed/ embroider VWMC mobiliser at the back, must have KZN Department of health logo at the front pocket	Medium	2	
	Extra Large	2	
Navy golfer T-shirt, cotton stretch fabric, regular fit , short sleeved, must have left front pocket, must have KZN Department of health logo at the front pocket	Extra Large	3	
Safety boots (Specification attached)	8	1 pair	
Work Jacket (Specification attached)	Extra Large	2	
Work Trouser (Navy colour) (Specification attached)	38	2	
Two piece coverall (Specification attached)	See attached list	42	
Safety shoes (Specification attached)	See attached list	15	
T-Shirts (Specification attached)	See attached list	75	

Two Piece rain suite (Specification attached)	See attached list	18	
Beannies (Specification attached)	One size fits all	18	

GENERAL CONDITIONS OF CONTRACT

NOTES

The purpose of this document is to:

- (i) Draw special attention to certain general conditions applicable to government bids, contracts and orders; and
- (ii) To ensure that clients be familiar with regard to the rights and obligations of all parties involved in doing business with government.

In this document words in the singular also mean in the plural and vice versa and words in the masculine also mean in the feminine and neuter.

- The General Conditions of Contract will form part of all bid/quotation documents and may not be amended.
- Special Conditions of Contract (SCC) relevant to a specific bid, should be compiled separately for every bid (if applicable) and will supplement the General Conditions of Contract. Whenever there is a conflict, the provisions in the SCC shall prevail.

1 Definitions

The following terms shall be interpreted as indicated:

- 1.1. "Closing time" means the date and hour specified in the bidding documents for the receipt of bids.
- 1.2. "Contract" means the written agreement entered into between the purchaser and the supplier, as recorded in the contract form signed by the parties, including all attachments and appendices thereto and all documents incorporated by reference therein.
- 1.3. "Contract price" means the price payable to the supplier under the contract for the full and proper performance of his contractual obligations.
- 1.4. "Corrupt practice" means the offering, giving, receiving, or soliciting of any thing of value to influence the action of a public official in the procurement process or in contract execution.
- 1.5. "Countervailing duties" are imposed in cases where an enterprise abroad is subsidized by its government and encouraged to market its products internationally.
- 1.6. "Country of origin" means the place where the goods were mined, grown or produced or from which the services are supplied. Goods are produced when, through manufacturing, processing or substantial and major assembly of components, a commercially recognized new product results that is substantially different in basic characteristics or in purpose or utility from its components.
- 1.7. "Day" means calendar day.
- 1.8. "Delivery" means delivery in compliance of the conditions of the contract or order.
- 1.9. "Delivery ex stock" means immediate delivery directly from stock actually on hand.
- 1.10. "Delivery into consignees store or to his site" means delivered and unloaded in the specified store or depot or on the specified site in compliance with the conditions of the contract or order, the supplier bearing all risks and charges involved until the supplies are so delivered and a valid receipt is obtained.
- 1.11. "Dumping" occurs when a private enterprise abroad market its goods on own initiative in the RSA at lower prices than that of the country of origin and which have the potential to harm the local industries in the RSA
- 1.12. "Force majeure" means an event beyond the control of the supplier and not involving the supplier's fault or negligence and not foreseeable. Such events may include, but is not restricted to, acts of the purchaser in its sovereign capacity, wars or revolutions, fires, floods, epidemics, quarantine restrictions and freight embargoes.
- 1.13. "Fraudulent practice" means a misrepresentation of facts in order to influence a procurement process or the execution of a contract to the detriment of any bidder, and includes collusive practice among bidders (prior to or after bid submission) designed to establish bid prices at artificial non-competitive levels and to deprive the bidder of the benefits of free and open competition.
- 1.14. "GCC" means the General Conditions of Contract.
- 1.15. "Goods" means all of the equipment, machinery, and/or other materials that the supplier is required to supply to the purchaser under the contract.
- 1.16. "Imported content" means that portion of the bidding price represented by the cost of components, parts or materials which have been or are still to be imported (whether by the supplier or his subcontractors) and which costs are inclusive of the costs abroad, plus freight and other direct importation costs such as landing costs, dock dues, import duty, sales duty or other similar tax or duty at the South African place of entry as well as transportation and handling charges to the factory in the Republic where the supplies covered by the bid will be manufactured.
- 1.17. "Local content" means that portion of the bidding price which is not included in the imported content provided that local manufacture does take place.
- 1.18. "Manufacture" means the production of products in a factory using labour, materials, components and machinery and includes other related value-adding activities.
- 1.19. "Order" means an official written order issued for the supply of goods or works or the rendering of a service.
- 1.20. "Project site," where applicable, means the place indicated in bidding documents.
- 1.21. "Purchaser" means the organization purchasing the goods.
- 1.22. "Republic" means the Republic of South Africa.
- 1.23. "SCC" means the Special Conditions of Contract.
- 1.24. "Services" means those functional services ancillary to the supply of the goods, such as transportation and any other incidental services, such as installation, commissioning, provision of technical assistance, training, catering, gardening, security, maintenance and other such obligations of the supplier covered under the contract.
- 1.25. "Written" or "in writing" means handwritten in ink or any form of electronic or mechanical writing.

2 Application

- 2.1. These general conditions are applicable to all bids, contracts and orders including bids for functional and professional services, sales, hiring, letting and the granting or acquiring of rights, but excluding immovable property, unless otherwise indicated in the bidding documents.
- 2.2. Where applicable, special conditions of contract are also laid down to cover specific supplies, services or works.
- 2.3. Where such special conditions of contract are in conflict with these general conditions, the special conditions shall apply.

3 General

- 3.1. Unless otherwise indicated in the bidding documents, the purchaser shall not be liable for any expense incurred in the preparation and submission of a bid. Where applicable a non-refundable fee for documents may be charged.
- 3.2. With certain exceptions, invitations to bid are only published in the Government Tender Bulletin. The Government Tender Bulletin may be obtained directly from the Government Printer, Private Bag X85, Pretoria 0001, or accessed electronically from www.treasury.gov.za

4 Standards

- 4.1. The goods supplied shall conform to the standards mentioned in the bidding documents and specifications.

5 Use of contract documents and information; inspection.

- 5.1. The supplier shall not, without the purchaser's prior written consent, disclose the contract, or any provision thereof, or any specification, plan, drawing, pattern, sample, or information furnished by or on behalf of the purchaser in connection therewith, to any person other than a person employed by the supplier in the performance of the contract. Disclosure to any such employed person shall be made in confidence and shall extend only so far as may be necessary for purposes of such performance.
- 5.2. The supplier shall not, without the purchaser's prior written consent, make use of any document or information mentioned in GCC clause 5.1 except for purposes of performing the contract.
- 5.3. Any document, other than the contract itself mentioned in GCC clause 5.1 shall remain the property of the purchaser and shall be returned (all copies) to the purchaser on completion of the supplier's performance under the contract if so required by the purchaser.
- 5.4. The supplier shall permit the purchaser to inspect the supplier's records relating to the performance of the supplier and to have them audited by auditors appointed by the purchaser, if so required by the purchaser.

6 Patent rights

- 6.1. The supplier shall indemnify the purchaser against all third-party claims of infringement of patent, trademark, or industrial design rights arising from use of the goods or any part thereof by the purchaser.

7 Performance security

- 7.1. Within thirty (30) days of receipt of the notification of contract award, the successful bidder shall furnish to the purchaser the performance security of the amount specified in SCC.
- 7.2. The proceeds of the performance security shall be payable to the purchaser as compensation for any loss resulting from the supplier's failure to complete his obligations under the contract.
- 7.3. The performance security shall be denominated in the currency of the contract, or in a freely convertible currency acceptable to the purchaser and shall be in one of the following forms:
- (a) a bank guarantee or an irrevocable letter of credit issued by a reputable bank located in the purchaser's country or abroad, acceptable to the purchaser, in the form provided in the bidding documents or another form acceptable to the purchaser; or
 - (b) a cashier's or certified cheque
- 7.4. The performance security will be discharged by the purchaser and returned to the supplier not later than thirty (30) days following the date of completion of the supplier's performance obligations under the contract, including any warranty obligations, unless otherwise specified in SCC.

8 Inspections, tests and analyses

- 8.1. All pre-bidding testing will be for the account of the bidder.
- 8.2. If it is a bid condition that supplies to be produced or services to be rendered should at any stage during production or execution or on completion be subject to inspection, the premises of the bidder or contractor shall be open, at all reasonable hours, for inspection by a representative of the Department or an organization acting on behalf of the Department.
- 8.3. If there are no inspection requirements indicated in the bidding documents and no mention is made in the contract, but during the contract period it is decided that inspections shall be carried out, the purchaser shall itself make the necessary arrangements, including payment arrangements with the testing authority concerned.
- 8.4. If the inspections, tests and analyses referred to in clauses 8.2 and 8.3 show the supplies to be in accordance with the contract requirements, the cost of the inspections, tests and analyses shall be defrayed by the purchaser.
- 8.5. Where the supplies or services referred to in clauses 8.2 and 8.3 do not comply with the contract requirements, irrespective of whether such supplies or services are accepted or not, the cost in connection with these inspections, tests or analyses shall be defrayed by the supplier.
- 8.6. Supplies and services which are referred to in clauses 8.2 and 8.3 and which do not comply with the contract requirements may be rejected.
- 8.7. Any contract supplies may on or after delivery be inspected, tested or analyzed and may be rejected if found not to comply with the requirements of the contract. Such rejected supplies shall be held at the cost and risk of the supplier who shall, when called upon, remove them immediately at his own cost and forthwith substitute them with supplies which do comply with the requirements of the contract. Failing such removal the rejected supplies shall be returned at the suppliers cost and risk. Should the supplier fail to provide the substitute supplies forthwith, the purchaser may, without giving the supplier further opportunity to substitute the rejected supplies, purchase such supplies as may be necessary at the expense of the supplier.
- 8.8. The provisions of clauses 8.4 to 8.7 shall not prejudice the right of the purchaser to cancel the contract on account of a breach of the conditions thereof, or to act in terms of Clause 23 of GCC.

9 Packing

- 9.1. The supplier shall provide such packing of the goods as is required to prevent their damage or deterioration during transit to their final destination, as indicated in the contract. The packing shall be sufficient to withstand, without limitation, rough handling during transit and exposure to extreme temperatures, salt and precipitation during transit, and open storage. Packing, case size and weights shall take into consideration, where appropriate, the remoteness of the goods' final destination and the absence of heavy handling facilities at all points in transit.
- 9.2. The packing, marking, and documentation within and outside the packages shall comply strictly with such special requirements as shall be expressly provided for in the contract, including additional requirements, if any, specified in SCC, and in any subsequent instructions ordered by the purchaser.

10 Delivery and documents

- 10.1. Delivery of the goods shall be made by the supplier in accordance with the terms specified in the contract. The details of shipping and/or other documents to be furnished by the supplier are specified in SCC.
- 10.2. Documents to be submitted by the supplier are specified in SCC.

11 Insurance

- 11.1. The goods supplied under the contract shall be fully insured in a freely convertible currency against loss or damage incidental to manufacture or acquisition, transportation, storage and delivery in the manner specified in the SCC.

12 Transportation

- 12.1. Should a price other than an all-inclusive delivered price be required, this shall be specified in the SCC.

13 Incidental services

- 13.1. The supplier may be required to provide any or all of the following services, including additional services, if any, specified in SCC:
- (a) performance or supervision of on-site assembly and/or commissioning of the supplied goods;
 - (b) furnishing of tools required for assembly and/or maintenance of the supplied goods;
 - (c) furnishing of a detailed operations and maintenance manual for each appropriate unit of the supplied goods;
 - (d) performance or supervision of maintenance and/or repair of the supplied goods, for a period of time agreed by the parties, provided that this service shall not relieve the supplier of any warranty obligations under this contract; and
 - (e) training of the purchaser's personnel, at the supplier's plant and/or on-site, in assembly, start-up, operation, maintenance, and/or repair of the
- 13.2. Prices charged by the supplier for incidental services, if not included in the contract price for the goods, shall be agreed upon in advance by the parties and shall not exceed the prevailing rates charged to other parties by the supplier for similar services.

14 Spare parts

- As specified in SCC, the supplier may be required to provide any or all of the following materials, notifications, and information pertaining to spare parts manufactured or distributed by the supplier:
- 14.1.
- (a) such spare parts as the purchaser may elect to purchase from the supplier, provided that this election shall not relieve the supplier of any warranty obligations under the contract; and
 - (b) in the event of termination of production of the spare parts:
 - (i) Advance notification to the purchaser of the pending termination, in sufficient time to permit the purchaser to procure needed requirements; and
 - (ii) following such termination, furnishing at no cost to the purchaser, the blueprints, drawings, and specifications of the spare parts, if requested.

15 Warranty

- 15.1. The supplier warrants that the goods supplied under the contract are new, unused, of the most recent or current models, and that they incorporate all recent improvements in design and materials unless provided otherwise in the contract. The supplier further warrants that all goods supplied under this contract shall have no defect, arising from design, materials, or workmanship (except when the design and/or material is required by the purchaser's specifications) or from any act or omission of the supplier, that may develop under normal use of the supplied goods in the conditions prevailing in the country of final destination.
- 15.2. This warranty shall remain valid for twelve (12) months after the goods, or any portion thereof as the case may be, have been delivered to and accepted at the final destination indicated in the contract, or for eighteen (18) months after the date of shipment from the port or place of loading in the source country, whichever period concludes earlier, unless specified otherwise in SCC.
- 15.3. The purchaser shall promptly notify the supplier in writing of any claims arising under this warranty.
- 15.4. Upon receipt of such notice, the supplier shall, within the period specified in SCC and with all reasonable speed, repair or replace the defective goods or parts thereof, without costs to the purchaser.
- 15.5. If the supplier, having been notified, fails to remedy the defect(s) within the period specified in SCC, the purchaser may proceed to take such remedial action as may be necessary, at the supplier's risk and expense and without prejudice to any other rights which the purchaser may have against the supplier under the contract.

16 Payment

- 16.1. The method and conditions of payment to be made to the supplier under this contract shall be specified in SCC.
- 16.2. The supplier shall furnish the purchaser with an invoice accompanied by a copy of the delivery note and upon fulfillment of other obligations stipulated in the contract.
- 16.3. Payments shall be made promptly by the purchaser, but in no case later than thirty (30) days after submission of an invoice or claim by the supplier.
- 16.4. Payment will be made in Rand unless otherwise stipulated in SCC.

17 Prices

- 17.1. Prices charged by the supplier for goods delivered and services performed under the contract shall not vary from the prices quoted by the supplier in his bid, with the exception of any price adjustments authorized in SCC or in the purchaser's request for bid validity extension, as the case may be.

18 Contract amendments

- 18.1. No variation in or modification of the terms of the contract shall be made except by written amendment signed by the parties concerned.

19 Assignment

- 19.1. The supplier shall not assign, in whole or in part, its obligations to perform under the contract, except with the purchaser's prior written consent.

20 Subcontracts

- 20.1. The supplier shall notify the purchaser in writing of all subcontracts awarded under this contracts if not already specified in the bid. Such notification, in the original bid or later, shall not relieve the supplier from any liability or obligation under the contract.

21 Delays in the supplier's performance

- 21.1. Delivery of the goods and performance of services shall be made by the supplier in accordance with the time schedule prescribed by the purchaser in the contract.
- 21.2. If at any time during performance of the contract, the supplier or its subcontractor(s) should encounter conditions impeding timely delivery of the goods and performance of services, the supplier shall promptly notify the purchaser in writing of the fact of the delay, its likely duration and its cause(s). As soon as practicable after receipt of the supplier's notice, the purchaser shall evaluate the situation and may at his discretion extend the supplier's time for performance, with or without the imposition of penalties, in which case the extension shall be ratified by the parties by amendment of contract.
- 21.3. No provision in a contract shall be deemed to prohibit the obtaining of supplies or services from a national department, provincial department, or a local authority.
- 21.4. The right is reserved to procure outside of the contract small quantities or to have minor essential services executed if an emergency arises, the supplier's point of supply is not situated at or near the place where the supplies are required, or the supplier's services are not readily available.

- 21.5. Except as provided under GCC Clause 25, a delay by the supplier in the performance of its delivery obligations shall render the supplier liable to the imposition of penalties, pursuant to GCC Clause 22, unless an extension of time is agreed upon pursuant to GCC Clause 21.2 without the application of penalties.
- 21.6. Upon any delay beyond the delivery period in the case of a supplies contract, the purchaser shall, without canceling the contract, be entitled to purchase supplies of a similar quality and up to the same quantity in substitution of the goods not supplied in conformity with the contract and to return any goods delivered later at the supplier's expense and risk, or to cancel the contract and buy such goods as may be required to complete the contract and without prejudice to his other rights, be entitled to claim damages from the supplier.
- 22 Penalties**
- 22.1. Subject to GCC Clause 25, if the supplier fails to deliver any or all of the goods or to perform the services within the period(s) specified in the contract, the purchaser shall, without prejudice to its other remedies under the contract, deduct from the contract price, as a penalty, a sum calculated on the delivered price of the delayed goods or unperformed services using the current prime interest rate calculated for each day of the delay until actual delivery or performance. The purchaser may also consider termination of the contract pursuant to GCC Clause 23.
- 23 Termination for default**
- 23.1. The purchaser, without prejudice to any other remedy for breach of contract, by written notice of default sent to the supplier, may terminate this contract in whole or in part:
- (a) if the supplier fails to deliver any or all of the goods within the period(s) specified in the contract, or within any extension thereof granted by the purchaser pursuant to GCC Clause 21.2;
- (b) if the Supplier fails to perform any other obligation(s) under the contract; or
- (c) if the supplier, in the judgment of the purchaser, has engaged in corrupt or fraudulent practices in competing for or in executing the contract.
- 23.2. In the event the purchaser terminates the contract in whole or in part, the purchaser may procure, upon such terms and in such manner as it deems appropriate, goods, works or services similar to those undelivered, and the supplier shall be liable to the purchaser for any excess costs for such similar goods, works or services. However, the supplier shall continue performance of the contract to the extent not terminated.
- 23.3. Where the purchaser terminates the contract in whole or in part, the purchaser may decide to impose a restriction penalty on the supplier by prohibiting such supplier from doing business with the public sector for a period not exceeding 10 years.
- 23.4. If a purchaser intends imposing a restriction on a supplier or any person associated with the supplier, the supplier will be allowed a time period of not more than fourteen (14) days to provide reasons why the envisaged restriction should not be imposed. Should the supplier fail to respond within the stipulated fourteen (14) days the purchaser may regard the intended penalty as not objected against and may impose it on the supplier.
- 23.5. Any restriction imposed on any person by the Accounting Officer / Authority will, at the discretion of the Accounting Officer / Authority, also be applicable to any other enterprise or any partner, manager, director or other person who wholly or partly exercises or exercised or may exercise control over the enterprise of the first-mentioned person, and with which enterprise or person the first-mentioned person, is or was in the opinion of the Accounting Officer / Authority actively associated.
- 23.6. If a restriction is imposed, the purchaser must, within five (5) working days of such imposition, furnish the National Treasury, with the following information:
- (i) the name and address of the supplier and / or person restricted by the purchaser;
- (ii) the date of commencement of the restriction
- (iii) the period of restriction; and
- (iv) the reasons for the restriction.
- These details will be loaded in the National Treasury's central database of suppliers or persons prohibited from doing business with the public sector.
- 23.7. If a court of law convicts a person of an offence as contemplated in sections 12 or 13 of the Prevention and Combating of Corrupt Activities Act, No. 12 of 2004, the court may also rule that such person's name be endorsed on the Register for Tender Defaulters. When a person's name has been endorsed on the Register, the person will be prohibited from doing business with the public sector for a period not less than five years and not more than 10 years. The National Treasury is empowered to determine the period of restriction and each case will be dealt with on its own merits. According to section 32 of the Act the Register must be open to the public. The Register can be perused on the National Treasury website.
- 24 Anti-dumping and countervailing duties and rights**
- 24.1. When, after the date of bid, provisional payments are required, or antidumping or countervailing duties are imposed, or the amount of a provisional payment or anti-dumping or countervailing right is increased in respect of any dumped or subsidized import, the State is not liable for any amount so required or imposed, or for the amount of any such increase. When, after the said date, such a provisional payment is no longer required or any such anti-dumping or countervailing right is abolished, or where the amount of such provisional payment or any such right is reduced, any such favourable difference shall on demand be paid forthwith by the contractor to the State or the State may deduct such amounts from moneys (if any) which may otherwise be due to the contractor in regard to supplies or services which he delivered or rendered, or is to deliver or render in terms of the contract or any other contract or any other amount which may be due to him.
- 25 Force Majeure**
- 25.1. Notwithstanding the provisions of GCC Clauses 22 and 23, the supplier shall not be liable for forfeiture of its performance security, damages, or termination for default if and to the extent that his delay in performance or other failure to perform his obligations under the contract is the result of an event of force majeure.
- 25.2. If a force majeure situation arises, the supplier shall promptly notify the purchaser in writing of such condition and the cause thereof. Unless otherwise directed by the purchaser in writing, the supplier shall continue to perform its obligations under the contract as far as is reasonably practical, and shall seek all reasonable alternative means for performance not prevented by the force majeure event.
- 26 Termination for insolvency**
- 26.1. The purchaser may at any time terminate the contract by giving written notice to the supplier if the supplier becomes bankrupt or otherwise insolvent. In this event, termination will be without compensation to the supplier, provided that such termination will not prejudice or affect any right of action or remedy which has accrued or will accrue thereafter to the purchaser.
- 27 Settlement of Disputes**
- 27.1. If any dispute or difference of any kind whatsoever arises between the purchaser and the supplier in connection with or arising out of the contract, the parties shall make every effort to resolve amicably such dispute or difference by mutual consultation.

- 27.2. If, after thirty (30) days, the parties have failed to resolve their dispute or difference by such mutual consultation, then either the purchaser or the supplier may give notice to the other party of his intention to commence with mediation. No mediation in respect of this matter may be commenced unless such notice is given to the other party.
- 27.3. Should it not be possible to settle a dispute by means of mediation, it may be settled in a South African court of law.
- 27.4. Mediation proceedings shall be conducted in accordance with the rules of procedure specified in the SCC.
- 27.5. Notwithstanding any reference to mediation and/or court proceedings herein,
(a) the parties shall continue to perform their respective obligations under the contract unless they otherwise agree; and
(b) the purchaser shall pay the supplier any monies due the supplier.
- 28 Limitation of liability**
- 28.1. Except in cases of criminal negligence or willful misconduct, and in the case of infringement pursuant to Clause 6;
(a) the supplier shall not be liable to the purchaser, whether in contract, tort, or otherwise, for any indirect or consequential loss or damage, loss of use, loss of production, or loss of profits or interest costs, provided that this exclusion shall not apply to any obligation of the supplier to pay penalties and/or damages to the purchaser; and
(b) the aggregate liability of the supplier to the purchaser, whether under the contract, in tort or otherwise, shall not exceed the total contract price, provided that this limitation shall not apply to the cost of repairing or replacing defective equipment.
- 29 Governing language**
- 29.1. The contract shall be written in English. All correspondence and other documents pertaining to the contract that is exchanged by the parties shall also be written in English.
- 30 Applicable law**
- 30.1. The contract shall be interpreted in accordance with South African laws, unless otherwise specified in SCC.
- 31 Notices**
- 31.1. Every written acceptance of a bid shall be posted to the supplier concerned by registered or certified mail and any other notice to him shall be posted by ordinary mail to the address furnished in his bid or to the address notified later by him in writing and such posting shall be deemed to be proper service of such notice
- 31.2. The time mentioned in the contract documents for performing any act after such aforesaid notice has been given, shall be reckoned from the date of posting of such notice.
- 32 Taxes and duties**
- 32.1. A foreign supplier shall be entirely responsible for all taxes, stamp duties, license fees, and other such levies imposed outside the purchaser's country.
- 32.2. A local supplier shall be entirely responsible for all taxes, duties, license fees, etc., incurred until delivery of the contracted goods to the purchaser.
- 32.3. No contract shall be concluded with any bidder whose tax matters are not in order. Prior to the award of a bid the Department must be in possession of a tax clearance certificate, submitted by the bidder. This certificate must be an original issued by the South African Revenue Services.
- 33 National Industrial Participation (NIP) Programme**
- 33.1. The NIP Programme administered by the Department of Trade and Industry shall be applicable to all contracts that are subject to the NIP obligation.
- 34 Prohibition of Restrictive practices**
- 34.1. In terms of section 4 (1) (b) (iii) of the Competition Act No. 89 of 1998, as amended, an agreement between, or concerted practice by, firms, or a decision by an association of firms, is prohibited if it is between parties in a horizontal relationship and if a bidder (s) is / are or a contractor(s) was / were involved in collusive bidding (or bid rigging).
- 34.2. If a bidder(s) or contractor(s), based on reasonable grounds or evidence obtained by the purchaser, has / have engaged in the restrictive practice referred to above, the purchaser may refer the matter to the Competition Commission for investigation and possible imposition of administrative penalties as contemplated in the Competition Act No. 89 of 1998.
- 34.3. If a bidder(s) or contractor(s), has / have been found guilty by the Competition Commission of the restrictive practice referred to above, the purchaser may, in addition and without prejudice to any other remedy provided for, invalidate the bid(s) for such item(s) offered, and / or terminate the contract in whole or part, and / or restrict the bidder(s) or contractor(s) from conducting business with the public sector for a period not exceeding ten (10) years and / or claim damages from the bidder(s) or contractor(s) concerned.

SPECIAL CONDITIONS OF CONTRACT

1. AMENDMENT OF CONTRACT

- 1.1. Any amendment to or renunciation of the provisions of the contract shall at all times be done in writing and shall be signed by both parties.

2. CHANGE OF ADDRESS

- 2.1. Bidders must advise the Department of Health (Institution where the offer was submitted) should their address (domicilium citandi et executandi) details change from the time of bidding to the expiry of the contract.

3. GENERAL CONDITIONS ATTACHED TO THIS QUOTATION

- 3.1. The Department is under no obligation to accept the lowest or any quote.
- 3.2. The Department reserves the right to communicate in writing with vendors in cases where information is incomplete or where there are obscurities regarding technical aspects of the offer, to obtain confirmation of prices or preference claims in cases where it is evident that a typing, written, transfer or unit error has been made, to investigate the vendor's standing and ability to complete the supply/service satisfactorily.
- 3.3. **ALL DECISIONS TAKEN BY THE DEPARTMENT ARE FINAL, INCLUDING THE AWARD OR CANCELLATION OF THIS QUOTATION.**
- 3.4. The price quoted must include VAT (if VAT vendor).
- 3.5. Should a bidder become a VAT vendor after award or during the implementation of a contract, they may not request the VAT percentage from the Department as the service provider made an offer during the period they were not registered as a VAT vendor. The Department is only liable for any VAT from registered VAT vendors as originally stated on the quotation document.
- 3.6. The bidder must ensure the correctness & validity of the quotation:
- (i) that the price(s), rate(s) & preference quoted cover all for the work/item (s) & accept that any mistakes regarding the price (s) & calculations will be at the bidder's risk;
 - (ii) it is the responsibility of the bidder to confirm receipt of their quotation and to keep proof thereof.
- 3.7. The bidder must accept full responsibility for the proper execution & fulfilment of all obligations conditions devolving on under this agreement, as the Principal (s) liable for the due fulfilment of this contract.
- 3.8. This quotation will be evaluated based on the 80/20 points system, specification, correctness of information and/or functionality criteria. All required documentation must be completed in full and submitted.
- 3.9. Offers must comply strictly with the specification.
- 3.10. Only offers that meet or are greater than the specification will be considered.
- 3.11. Late offers will not be considered.
- 3.12. Expired product/s will not be accepted. All products supplied must be valid for a minimum period of six months.
- 3.13. Used/ second-hand products will not be accepted.
- 3.14. A bidder not registered on the Central Suppliers Database or whose verification has failed will not be considered.
- 3.15. All delivery costs must be included in the quoted price for delivery at the prescribed destination.
- 3.16. Only firm prices will be accepted. Such prices must remain firm for the contract period. Non-firm prices (including rates of exchange variations) will not be considered.
- 3.17. In cases where different delivery points influence the pricing, a separate pricing schedule must be submitted for each delivery point.
- 3.18. In the event of a bidder having multiple quotes, only the cheapest according to specification will be considered.
- 3.19. Verification will be conducted to identify if bidders have multiple companies and are cover-quoting for this bid.
- 3.20. In such instances, the Department reserves the right to immediately disqualify such bidders as cover-quoting is an offence that represents both corruption and acquisition fraud.

4. SPECIAL INSTRUCTIONS AND NOTICES TO BIDDERS REGARDING THE COMPLETION OF THIS QUOTATION.

- 4.1. Unless inconsistent with or expressly indicated otherwise by the context, the singular shall include the plural and vice versa and with words importing the masculine gender shall include the feminine and the neuter.
- 4.2. Under no circumstances whatsoever may the quotation/bid forms be retyped or redrafted. Photocopies of the original bid documentation may be used, but an original signature must appear on such photocopies.
- 4.3. The bidder is advised to check the number of pages and to satisfy himself that none are missing or duplicated.
- 4.4. Quotations submitted must be complete in all respects. However, where it is identified that information in a bidder's response, which does not affect the preference points or price, is incomplete in any respect, the said supplier meets all specification requirements and scores the highest points in terms of preference points and price, the Department reserves the right to request the bidder to complete/ submit such information.
- 4.5. Any alteration made by the bidder must be initialled; failure to do so may render the response invalid.
- 4.6. Use of correcting fluid is prohibited and may render the response invalid.
- 4.7. Quotations will be opened in public as soon as practicable after the closing time of quotation.
- 4.8. Where practical, prices are made public at the time of opening quotations.
- 4.9. If it is desired to make more than one offer against any individual item, such offers should be given on a photocopy of the page in question. Clear indication thereof must be stated on the schedules attached.
- 4.10. The Department is under no obligation to pay suppliers in part for work done if the supplier can no longer for fulfil their obligation.

5. SPECIAL INSTRUCTIONS REGARDING HAND DELIVERED QUOTATIONS

- 5.1. Quotation shall be lodged at the address indicated not later than the closing time specified for their receipt, and in accordance with the directives in the quotation documents.
- 5.2. Each quotation shall be addressed in accordance with the directives in the quotation documents and shall be lodged in a separate sealed envelope, with the name and address of the bidder, the quotation number and closing date indicated on the envelope. The envelope shall not contain documents relating to any quotation other than that shown on the envelope. If this provision is not complied with, such quotations/bids may be rejected as being invalid.
- 5.3. All quotations received in sealed envelopes with the relevant quotation numbers on the envelopes are kept unopened in safe custody until the closing time of the quotation/bids. Where, however, a quotation is received open, it shall be sealed. If it is received without a quotation/bid number on the envelope, it shall be opened, the quotation number ascertained, the envelope sealed and the quotation number written on the envelope.
- 5.4. A specific box is provided for the receipt of quotations, and no quotation found in any other box or elsewhere subsequent to the closing date and time of quotation will be considered.

14. TERMINATION FOR DEFAULT

- 14.1. The purchaser, without prejudice to any other remedy for breach of contract, by written notice of default sent to the supplier, may terminate this contract in whole or in part:
- (i) if the supplier fails to deliver any or all of the goods within the period(s) specified in the contract,
 - (ii) if the supplier fails to perform any other obligation(s) under the contract; or
 - (iii) if the supplier, in the judgment of the purchaser, has engaged in corrupt or fraudulent practices in competing for or in executing the contract.
- 14.2. In the event the purchaser terminates the contract in whole or in part, the purchaser may procure, upon such terms and in such manner as it deems appropriate, goods, works or services similar to those undelivered, and the supplier shall be liable to the purchaser for any excess costs for such similar goods, works or services.
- 14.3. Where the purchaser terminates the contract in whole or in part, the purchaser may decide to impose a restriction penalty on the supplier by prohibiting such supplier from doing business with the public sector for a period not exceeding 10 years.
- 15. THE DEPARTMENT RESERVES THE RIGHT TO PASS OVER ANY QUOTATION WHICH FAILS TO COMPLY WITH THE ABOVE.**

PREFERENCE POINTS CLAIM FORM IN TERMS OF THE PREFERENTIAL PROCUREMENT REGULATIONS 2022

This preference form must form part of all tenders invited. It contains general information and serves as a claim form for preference points for specific goals.

NB: BEFORE COMPLETING THIS FORM, TENDERERS MUST STUDY THE GENERAL CONDITIONS, DEFINITIONS AND DIRECTIVES APPLICABLE IN RESPECT OF THE TENDER AND PREFERENTIAL PROCUREMENT REGULATIONS, 2022

1. GENERAL CONDITIONS

- 1.1. The following preference point systems are applicable to invitations to tender:
- the 80/20 system for requirements with a Rand value of up to R50 000 000 (all applicable taxes included); and
 - the 90/10 system for requirements with a Rand value above R50 000 000 (all applicable taxes included).

1.2. The applicable preference point system for this tender is the 80/20 preference point system.

1.3. Points for this tender (even in the case of a tender for income-generating contracts) shall be awarded for:

(a) Price; and

(b) Specific Goals.

1.4. The maximum points for this tender are allocated as follows:

	POINTS
PRICE	80
SPECIFIC GOALS	20
Total points for Price and Specific Goals	100

1.5. Failure on the part of a tenderer to submit proof or documentation required in terms of this tender to claim points for specific goals with the tender, will be interpreted to mean that preference points for specific goals are not claimed.

1.6. The organ of state reserves the right to require of a tenderer, either before a tender is adjudicated or at any time subsequently, to substantiate any claim in regard to preferences, in any manner required by the organ of state.

2. DEFINITIONS

- (a) "tender" means a written offer in the form determined by an organ of state in response to an invitation to provide goods or services through price quotations, competitive tendering process or any other method envisaged in legislation;
- (b) "price" means an amount of money tendered for goods or services, and includes all applicable taxes less all unconditional discounts;
- (c) "rand value" means the total estimated value of a contract in Rand, calculated at the time of bid invitation, and includes all applicable taxes;
- (d) "tender for income-generating contracts" means a written offer in the form determined by an organ of state in response to an invitation for the origination of income-generating contracts through any method envisaged in legislation that will result in a legal agreement between the organ of state and a third party that produces revenue for the organ of state, and includes, but is not limited to, leasing and disposal of assets and concession contracts, excluding direct sales and disposal of assets through public auctions; and
- (e) "the Act" means the Preferential Procurement Policy Framework Act, 2000 (Act No. 5 of 2000).

3. FORMULAE FOR PROCUREMENT OF GOODS AND SERVICES

3.1. POINTS AWARDED FOR PRICE

3.1.1. THE 80/20 OR 90/10 PREFERENCE POINT SYSTEMS

A maximum of 80 or 90 points is allocated for price on the following basis:

80/20

$$P_s = 80 \left(1 - \frac{P_t - P_{min}}{P_{min}} \right)$$

OR

90/10

$$P_s = 90 \left(1 - \frac{P_t - P_{min}}{P_{min}} \right)$$

Where

- P_s = Points scored for price of tender under consideration
- P_t = Price of tender under consideration
- P_{min} = Price of lowest acceptable tender

3.2. FORMULAE FOR DISPOSAL OR LEASING OF STATE ASSETS AND INCOME GENERATING PROCUREMENT

3.2.1. POINTS AWARDED FOR PRICE

A maximum of 80 or 90 points is allocated for price on the following basis:

80/20

$$P_s = 80 \left(1 + \frac{P_t - P_{max}}{P_{max}} \right)$$

OR

90/10

$$P_s = 90 \left(1 + \frac{P_t - P_{max}}{P_{max}} \right)$$

Where

- P_s = Points scored for price of tender under consideration
- P_t = Price of tender under consideration
- P_{max} = Price of highest acceptable tender

4. POINTS AWARDED FOR SPECIFIC GOALS

- 4.1. In terms of Regulation 4(2); 5(2); 6(2) and 7(2) of the Preferential Procurement Regulations, preference points must be awarded for specific goals stated in the tender. For the purposes of this tender the tenderer will be allocated points based on the goals stated in table 1 below as may be supported by proof/ documentation stated in the conditions of this tender:
- 4.2. In cases where organs of state intend to use Regulation 3(2) of the Regulations, which states that, if it is unclear whether the 80/20 or 90/10 preference point system applies, an organ of state must, in the tender documents, stipulate in the case of—
- (a) an invitation for tender for income-generating contracts, that either the 80/20 or 90/10 preference point system will apply and that the highest acceptable tender will be used to determine the applicable preference point system; or
 - (b) any other invitation for tender, that either the 80/20 or 90/10 preference point system will apply and that the lowest acceptable tender will be used to determine the applicable preference point system,
- then the organ of state must indicate the points allocated for specific goals for both the 90/10 and 80/20 preference point system.

Table 1: Specific goals for the tender and points claimed are indicated per the table below.

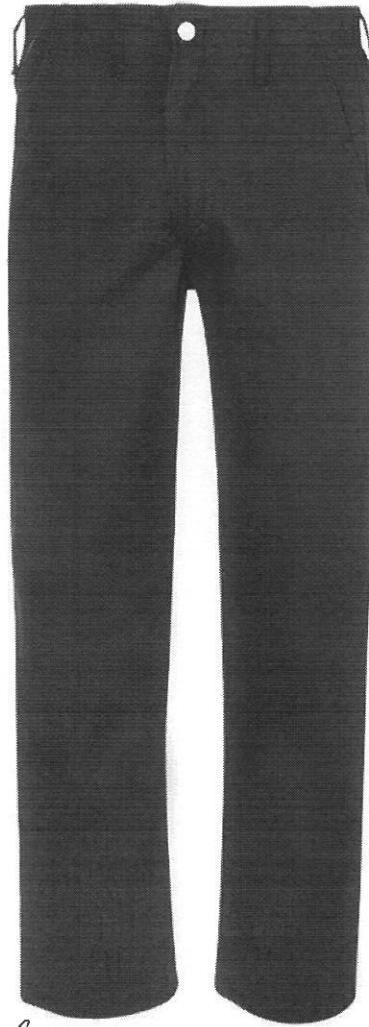
Note to tenderers: The tenderer must indicate how they claim points for each preference point system.

The specific goal/s allocated points in terms of this tender	Number of points allocated (80/20 system)	Number of points claimed (80/20 system)
Gender: Full points allocated to companies who are at least 100% Owned by Black Africans who are Women	20	

DECLARATION WITH REGARD TO COMPANY/FIRM

- 4.3. Name of company/firm: _____
- 4.4. Company registration number: _____
- 4.5. TYPE OF COMPANY/ FIRM (tick applicable box)
- Partnership/Joint Venture / Consortium
 - One-person business/sole propriety
 - Close corporation
 - Public Company
 - Personal Liability Company
 - (Pty) Limited
 - Non-Profit Company
 - State Owned Company
- 4.6. I, the undersigned, who is duly authorised to do so on behalf of the company/firm, certify that the points claimed, based on the specific goals as advised in the tender, qualifies the company/ firm for the preference(s) shown and I acknowledge that:
- i) The information furnished is true and correct;
 - ii) The preference points claimed are in accordance with the General Conditions as indicated in paragraph 1 of this form;
 - iii) In the event of a contract being awarded as a result of points claimed as shown in paragraphs 1.4 and 4.2, the contractor may be required to furnish documentary proof to the satisfaction of the organ of state that the claims are correct;
 - iv) If the specific goals have been claimed or obtained on a fraudulent basis or any of the conditions of contract have not been fulfilled, the organ of state may, in addition to any other remedy it may have –
 - (a) disqualify the person from the tendering process;
 - (b) recover costs, losses or damages it has incurred or suffered as a result of that person's conduct;
 - (c) cancel the contract and claim any damages which it has suffered as a result of having to make less favourable arrangements due to such cancellation;
 - (d) recommend that the tenderer or contractor, its shareholders and directors, or only the shareholders and directors who acted on a fraudulent basis, be restricted from obtaining business from any organ of state for a period not exceeding 10 years, after the audi alteram partem (hear the other side) rule has been applied; and
 - (e) forward the matter for criminal prosecution, if deemed necessary.

<p>_____</p> <p>SIGNATURE(S) OF TENDERER(S)</p> <p>SURNAME AND NAME: _____</p> <p>DATE: _____</p> <p>ADDRESS: _____</p> <p>_____</p> <p>_____</p>



Work Trousers Long (2)

Fabric: 100% cotton

Weight: 240gm²

Size: 38

Colour: Navy

Details:

- Triple needle stitching for extra strength
- Half elasticised waistband for comfort
- Ruler pocket
- X2 Large Back & Front Pockets (deep slant pockets with fabric pocket bags)
- X5 Belt loops
- Concealed YKK zip
- Bar tacks on stress points for extra strength
- Comfortable and breathable 100% cotton work trousers with a half elasticized waistband for easy movement and comfort.

2024/05/06

SAFETY BOOTS

REQUEST FOR UNIFORM FOR LMIS

The screenshot shows the TotalGuard website interface. At the top, there's a navigation bar with 'HOME', 'JANUARY SALE', 'WORKWEAR', 'FOOTWEAR', 'PPE', 'SECURITY', 'APPAREL', 'TOOLS', 'WELDING', and 'SHOP ALL'. Below this is a search bar and a 'Cart' icon. The main content area features a large image of a black safety boot with a zoomed-in view of the toe cap. The description below the image lists the following features:

- Bartan print leather upper inner sole
- Removable inner sole
- Wide profile carbon steel toe-cap

At the bottom of the page, there's a taskbar showing the system tray with the date and time: 02:14 PM, 2024/02/04.

Safety Boot (1 Pair) Description

- Bartan print leather upper inner sole
- Removable inner sole
- Wide profile carbon steel toe-cap
- Dual density polyurethane sole
- Impact resistant steel toe-cap of 200 joules, iron shoe
- Padded tongue and collar for added comfort
- Nylon laces
- PU foamed inner collar lining
- Resistant to 90°C
- Oil resistant dual density PU
- Slip resistant
- Crack resistant
- Anti-static



2024/05/06



Work Jacket 2 Long Sleeve (2)

Fabric: 100% Cotton

Weight: 240gm²

Size: XL

Colour: Navy

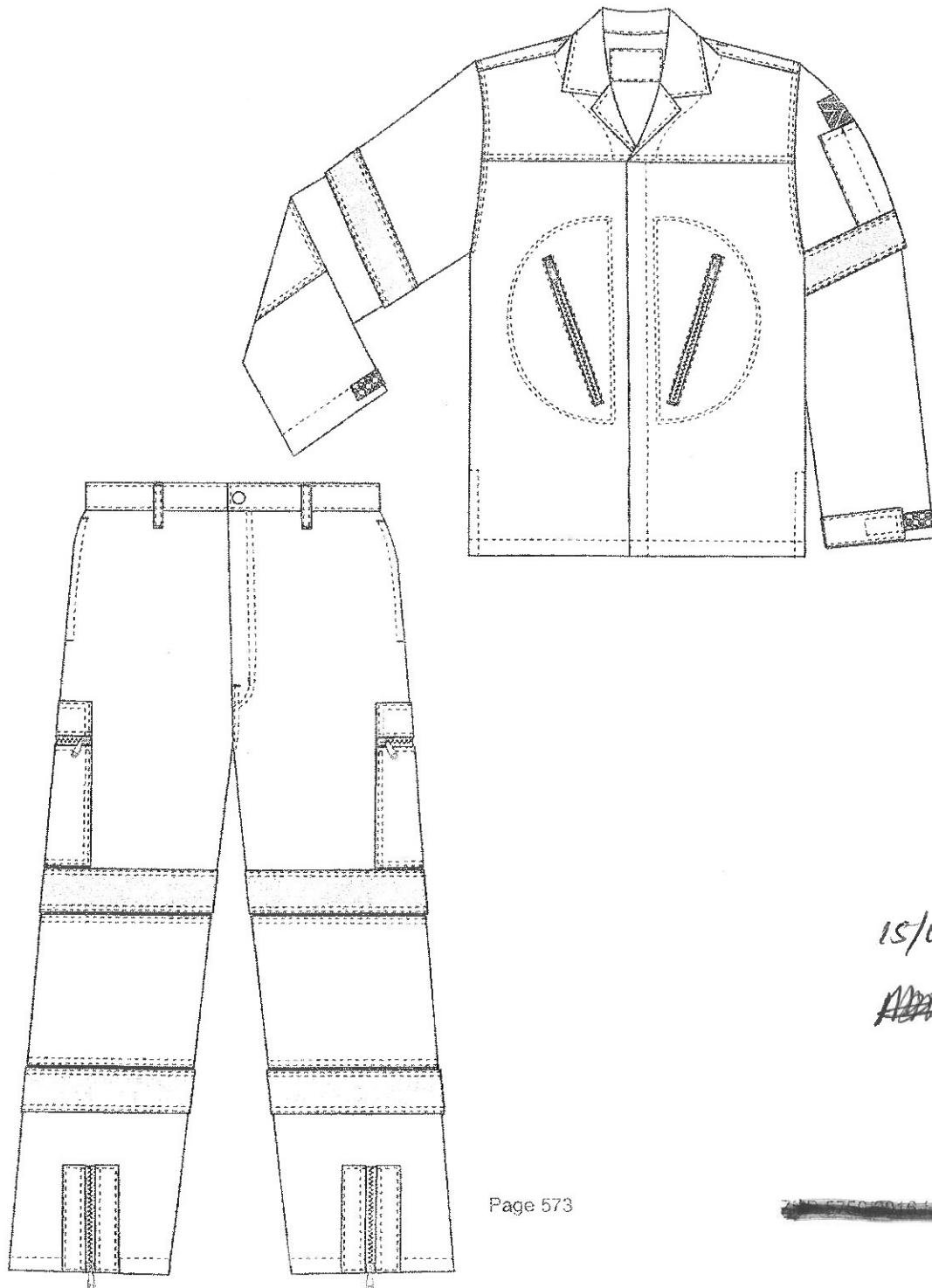
Specification Details of Work Jacket:

- Triple needle stitching for extra strength
- Must have hanger loop
- Chest pocket with press stud closure and pen division
- Large front pockets for convenient storage
- Concealed YKK zip front for flush surface
- Side vents for better ease of movement
- Bar tacks on stress points
- Must be printed KZN department of health logo at the front pocket

2024/05/06

~~EMERGENCY~~ Forensic Pathology Services

Coveralls, two-piece



15/05/2024

Handwritten signature

1. Scope

This specification covers the materials and make of two-piece coveralls for members of the EMRS.

2. Style

Jacket:

- ◆ front yoke and front facings
- ◆ front slide fastener opening covered with a fly
- ◆ slanted breast pockets (patch on inside of jacket)
- ◆ left front to have a multi-coloured embroidered design
- ◆ shoulder straps
- ◆ back to be plain with a multi-coloured embroidered design
- ◆ side slits
- ◆ open-neck with one-piece collar
- ◆ detachable long sleeves
 - with adjustable cuffs
 - with elbow reinforcement patches
 - fitted with reflective tape
 - fitted with an embroidered national flag on the left upper arm
 - fitted with a multi-coloured embroidered design on the right upper arm
 - fitted with one sleeve pocket on the left upper arm

Trousers:

- ◆ front fly opening fitted with a slide fastener
- ◆ front to have a separate waistband that fastens with a button and buttonhole
- ◆ back waistband to be cut-on, fitted with elastic webbing and ruched with four rows of stitchings
- ◆ belt loops
- ◆ two side pockets with through openings with slide fastener closure
- ◆ two thigh pockets with slide fastener closure
- ◆ bottom leg openings
- ◆ two lengths of reflective tape sewn to each leg

3. Components

The following components shall be supplied by the manufacturer. The components as given in 3.2 to 3.8 shall be an acceptable match to the colour of the outer material (unless otherwise specified).

3.1 Outer Material

- ◆ 65% Polyester, 35% Viscose
- ◆ Std Mass: 200g
- ◆ Finish: Ruco Blood Repell
- ◆ Rip-Stop Weaved
- ◆ colour to be an acceptable navy blue colour as agreed upon between the purchaser and supplier


15/05/2024

3.2 Touch and close fastener

- ◆ to comply with the requirements of SANS 1823
- ◆ nominal width of 25 mm
- ◆ Unnapped Fastener

3.3 Slide fasteners

- ◆ synthetic spiral
- ◆ fly opening, chest pocket opening, bottom leg opening, thigh pocket opening: one-way, closed end that complies with class B of SANS 1822
- ◆ front opening and sleeves: one-way, open end that complies with class B of SANS 1822
- ◆ thigh opening: one-way closed end that complies with class A of SANS 1822

3.4 Elastic webbing

- ◆ to comply with the requirements for type 1 of SANS 142 and of nominal width 45 mm

3.5 Reflective tape

- ◆ a high visibility retro-reflective silver tape
- ◆ of nominal width 50 mm
- ◆ retro-reflective properties to comply with the relevant requirements for a class 2 retro-reflective material of SANS 50741
- ◆

3.6 Embroidery thread

- ◆ an acceptable 100% viscose machine embroidery thread of various colours

3.7 Wadding

- ◆ an acceptable 100% polyester wadding

3.8 Threads

- ◆ to comply with relevant requirements of SANS 1362
- ◆ sewing thread: polyester-and-cotton core-spun or staple polyester, ticket No.
- ◆ overlocking thread: crimp textured polyester or polyamide, ticket No.

Amund's

15/05/2024

6. Make

6.1 Jacket: Front

- ◆ to have a single yoke that shall be double-stitched along the yoke seam
- ◆ to have a lapel step of finished width 25 mm
- ◆ to have shaped front facings that shall extend from the shoulder seam to the front yoke seam
- ◆ front opening to be fitted with a slide fastener that shall extend from the yoke seam to 50 mm above the bottom hem
- ◆ left front edge to be cut-on and folded to the inside, forming a fly of finished width 30 mm
 - stitched down and concealing the slide fastener
- ◆ right front edge to be cut-on, folded to the inside forming a facing of finished width 50 mm
 - stringer shall be sewn to the front edge
- ◆ fitted with two slanted inside patch breast pockets
 - pocket bags of outer material
 - of finished front length 25 cm
 - of finished width 17 cm (measured in the centre)
 - outer edges to be double-stitched
 - pocket mouth to be slanted and fitted with a slide fastener of finished length 17 cm
- ◆ fitted with a multi-coloured embroidered design on the left front
- ◆ to have side slits of finished length 13 cm, stitched down
- ◆ fitted with shoulder straps that shall fasten with a button and buttonhole, sewn in with the sleeve insertion seam

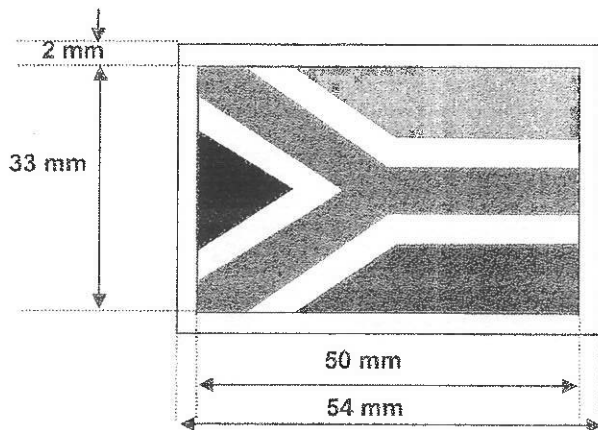
6.2 Jacket: Back

- ◆ back to be plain with a multi-coloured embroidered design

6.3 Sleeves

- ◆ to be detachable inset sleeves
 - fitted with a slide fastener, concealed by a 30 mm overlap and fitted with a fly-catch of finished width 20 mm
- ◆ fitted with elbow reinforcement patches of outer material, interlined with wadding and double-stitched edges with the rear edges sewn in with underarm seams
- ◆ fitted with retro-reflective tape along the full circumference of the sleeve
 - side edges to be double-stitched
 - bottom edge to be positioned at the bottom edge of the slide fastener overlap
 - sewn in with the underarm seam
- ◆ right upper sleeve to be fitted with a multi-coloured embroidered design
- ◆ left upper sleeve to be fitted with a sleeve pocket of finished width and depth 90 mm and 13 cm respectively
 - to have a centre stitching, forming two compartments and bar-tacked at the mouth ends
 - positioned 70 mm below the crown of the sleeve
- ◆ left upper sleeve to be fitted with an embroidered national flag, positioned directly above the sleeve pocket (see below)
- ◆ outer cuffs to be fitted with adjustment straps of doubled outer material
 - sewn in with underarm sleeve
 - of finished length 13 cm
 - fitted with 25 mm male touch and close fastener
- ◆ cuff to be fitted with 25 mm female touch and close fastener
- ◆ cuff hem to be of finished width 30 mm

M. M. M. M. M.
15/05/24



Colour section	Proportion	Width
Red	1/3	11.0 mm
Blue	1/3	11.0 mm
Green	1/5	6.6 mm
White	1/15	2.2 mm
Yellow	1/15	2.2 mm

6.4 Collar

- ◆ one-piece open-neck shirt type collar
- ◆ edge-stitched
- ◆ of finished width 70 mm at the points and 80 mm at centre back

6.5 Trouser

- ◆ front fly opening fitted with a slide fastener, double stitched and bar-tacked at the bottom edge
- ◆ front to have a separately cut waistband of finished width 40 mm that shall fasten with a button and buttonhole
- ◆ back waistband to be fitted with elastic webbing and rucked with four rows of stitching
- ◆ waist to be fitted with five belt loops of finished length 70 mm, two positioned on the front and three on the back
- ◆ to have two side pockets
 - positioned in the side seam, with the top edge 40 mm below the waistband seam
 - pocket bags of outer material
 - pocket mouth of finished length 18 cm and edge-stitched 10 mm
 - mouth ends to be bar-tacked
 - of finished width and depth 18 cm (measured below bottom bar-tack of pocket mouth)
- ◆ fitted with a through opening
 - positioned on inside of side pocket (same length as side pocket)
 - opening to be fitted with a slide fastener
 - fitted with a 20 mm double folded outer material fly-catch behind the stringers
- ◆ fitted with two thigh pockets
 - centrally positioned over the side seam
 - patch pockets of finished width 18 cm
 - of finished length 19 cm
 - pocket mouth to be of finished length 18 cm and fitted with a horizontally positioned slide fastener, 30 mm below the top edge of the pocket
 - edges to be double-stitched
- ◆ fitted with a knee reinforcement patch
 - of outer material, interlined with wadding
 - of finished depth 18 cm
 - laid on top of leg and top and bottom edges to be double-stitched
 - side edges to be sewn in with the side seams
- ◆ each leg to be fitted with two lengths of reflective tape
 - reflective tape to be positioned directly above and below the knee reinforcement patch

[Handwritten Signature]
15/05/2024

- edges to be double-stitched
- sewn in with the inside leg seams
- around full circumference of the legs
- ◆ fitted with a bottom leg opening
 - fitted with a 20 cm slide fastener
 - fitted with two outer material patches on both sides of the slide fastener, each of finished width 30 mm and edge-stitched
 - when slide fastener is closed, it shall reduce the bottom hem by 40 mm
- ◆ bottom hem to be 25 mm

6.6 Seams


- ◆ all seams shall be double-stitched (except the inside leg seam)
- ◆ raw edges shall be over locked

6.7 Embroidery

- ◆ Back Embroidery Logo: EMRS Logo 22cm x 24.5cm
- ◆ Right Upper sleeve embroidery: KZN Health Logo 8.5cm x 9cm
- ◆ Front left chest embroidery: EMRS Number 10177 – 5.5cm x 10cm

6.7.1 Embroidery

- ◆ Back Embroidery Logo: Forensic Pathology Services 22cm x 24.5cm
- ◆ Right Upper sleeve embroidery: KZN Health Logo 8.5cm x 9cm
- ◆ Front left chest embroidery: Forensic Pathology Services – 5.5cm x 10cm


15/05/2024

SAFETY SHOES

- BINDING SHALL BE OF OUTER MATERIAL
- OF FINISHED WIDTH 12mm
- UNDERARM JOINING SEAM SHALL BE BAR-TACKED

NECK OPENING:

- ❖ BE ROUND SHAPED AND POSITIONED CENTRALLY ON THE FRONT
- ❖ BE BOUND
 - BINDING SHALL BE OF OUTER MATERIAL
 - OF FINISHED WIDTH 12mm
 - SHOULDER JOINING SEAM SHALL BE BAR-TACKED

PACKING:

THE T-SHIRT SHALL BE:

- ❖ DELIVERED IN A COMMERCIAL DRY CONDITION
- ❖ SO PACKED THAT THEY WILL NOT BE DAMAGED IN TRANSIT OR IN STORAGE
- ❖ NEATLY FOLDED AND INDIVIDUALLY PACKED IN A PLASTIC ENVELOPE OF A SUITABLE SIZE AND SHAPE IN SUCH A WAY THAT THE GARMENT LABEL DETAILS ARE CLEARLY VISIBLE

CARE-LABELLING

- ❖ EACH GARMENT TO HAVE A WOVEN OR PRINTED LABEL THAT IS PERMANENTLY SECURED AND THAT PROVIDES (IN ACCORDANCE WITH SANS 10011 "CARE LABELLING FOR TEXTILES AND CLOTHING") CORRECT AND APPROPRIATE CARE INSTRUCTIONS AND THE FIBRE COMPOSITION OF THE FABRIC (IN ACCORDANCE WITH THE REQUIREMENTS OF SANS 10235 "FIBRE - CONTENT LABELLING OF TEXTILES AND TEXTILE PRODUCTS)
- ❖ PRINTED LABELS TO COMPLY WITH THE REQUIREMENTS OF SANS 1309 "PRINTED LABELS FOR TEXTILES"
- ❖ ALL CARE-LABELS AND THEIR MARKINGS TO BE SUCH THAT THEY OUTLAST THE GARMENTS.

[REDACTED]: FORENSIC PATHOLOGY SERVICES

[Signature] 15/05/2024

DESCRIPTION:

The footwear must be made with both synthetic and natural materials that conform to the relevant sections of either EN ISO 20345:2011 or EN ISO 20347:2012 for performance and quality. The relevant standards should be marked on the tongue label. The safety footwear should comply with the EC Directive for Personal Protective Equipment (Directive 89/686/EC) and meets the requirements of SABS/ European Standards.

It should be designed to protect the wears toes against risk of injury from falling objects and crushing when worn in industrial and commercial environment. This footwear must be tested against EN ISO 20345:2011 clause 5.3.5 for slip and heat resistance. It must be designed for the harshest environments, this lightweight boot feels like you are wearing a sneaker, but still provides support and durability required for a uniform boot.

APPLICATION:

- ❖ Law Enforcement, Forensic Pathology Services, Outdoor

STYLE:

- ❖ YKK side Zipper / Circular side zipper

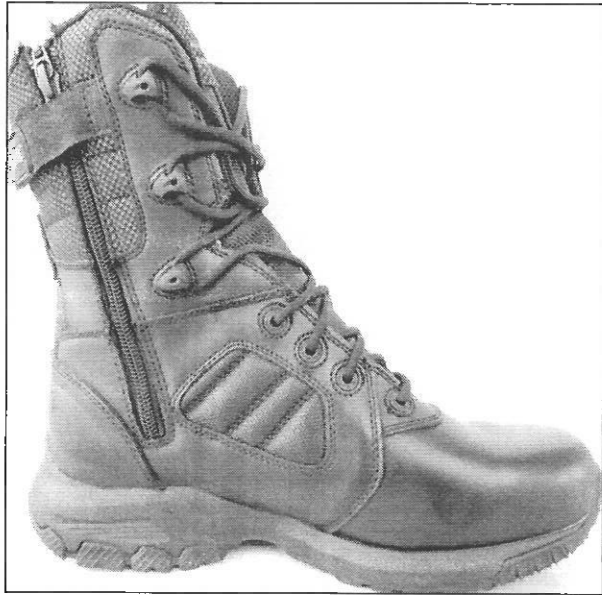
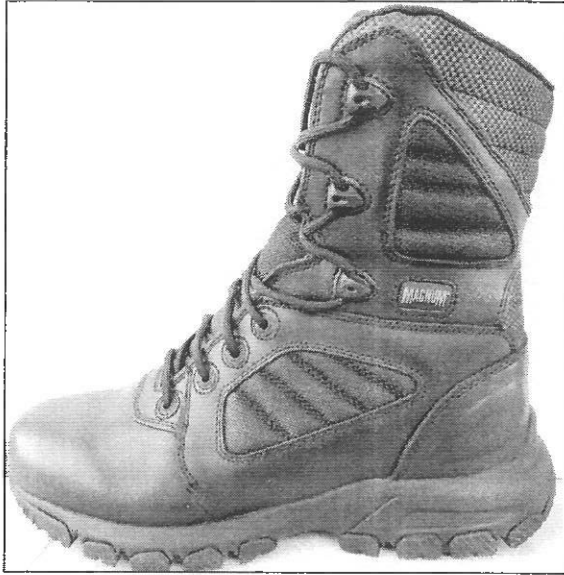
mj
leather

- ❖ Breathable material and water resistant upper
- ❖ Moisture-wicking taibrelle lining keep feet dry
- ❖ EVA midsole for comfort shock absorption
- ❖ Heel stabilizer, channel stitched heel toe for added strength
- ❖ Steel shank for stability
- ❖ Carbon rubber outsole for durability
- ❖ Slip & oil resistance
- ❖ Multiple impact composite safety toecap
- ❖ Charged heel air cell

steel toe cap.

~~trunk~~

RB



~~trunk~~

25/05/24

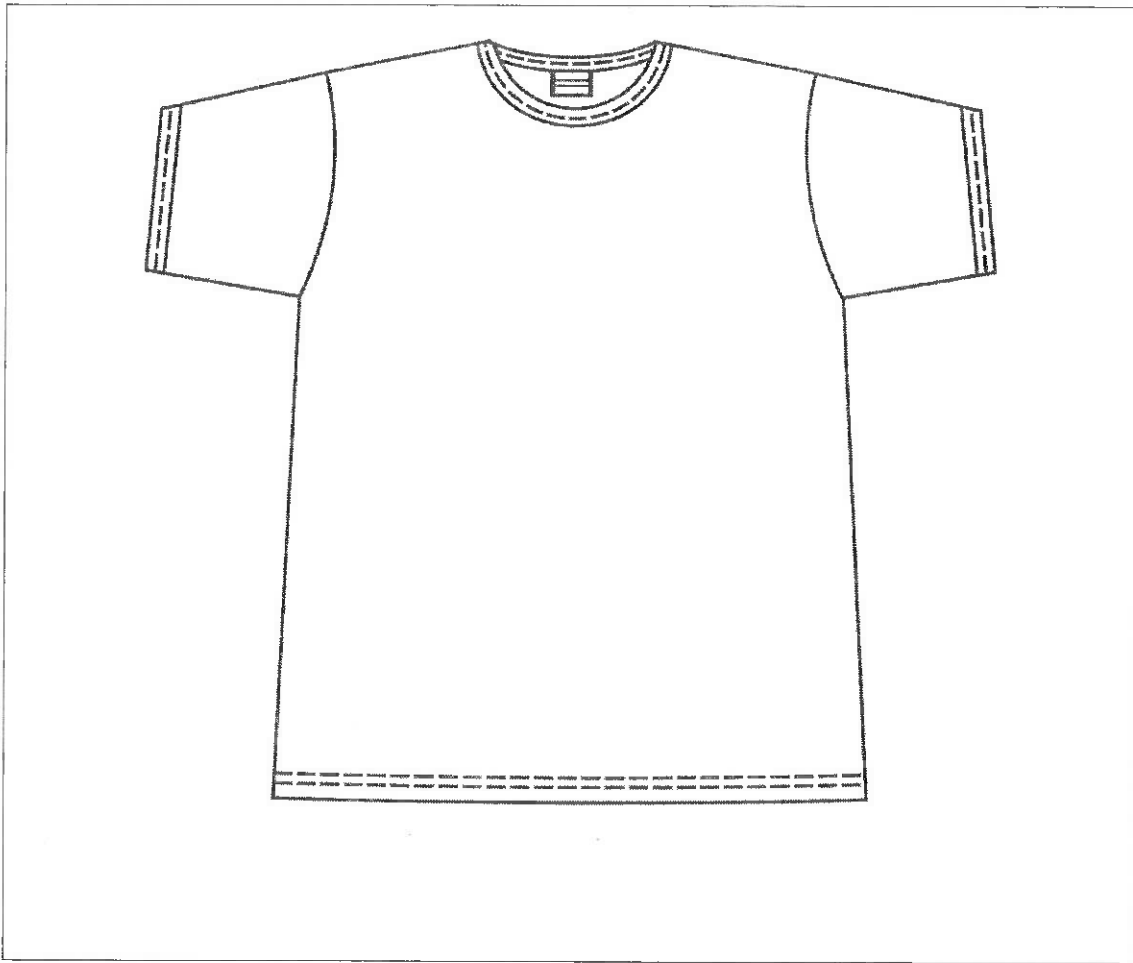
SIZE GUIDES:

Women's/Men's Footwear

U.K.	Europe
5	38
6	39
7	41
8	42
9	43
10	44
11	45
12	46
13	47

240.

ROUND NECK T-SHIRTS - WHITE



STYLE DETAILS

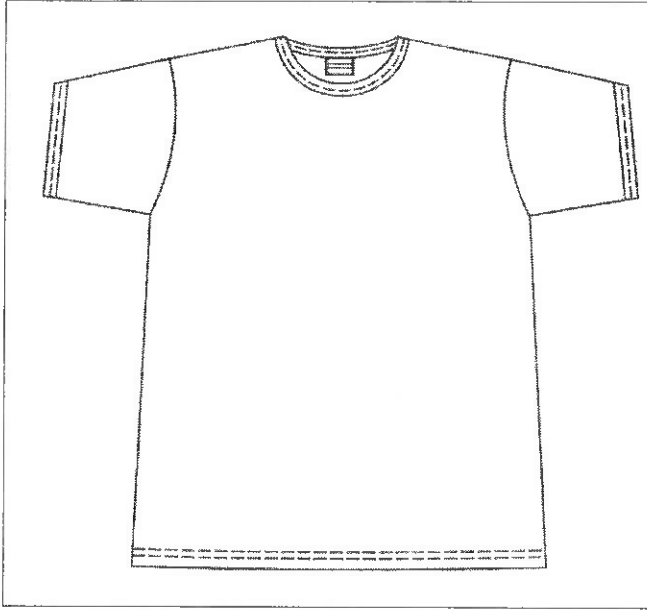
- ❖ PLAIN FRONT
- ❖ PLAIN BACK
- ❖ ROUND NECK WITH BINDING
- ❖ SHORT SLEEVES WITH BOUND CUFF
- ❖ STRAIGHT BOTTOM HEM

15/05/2024

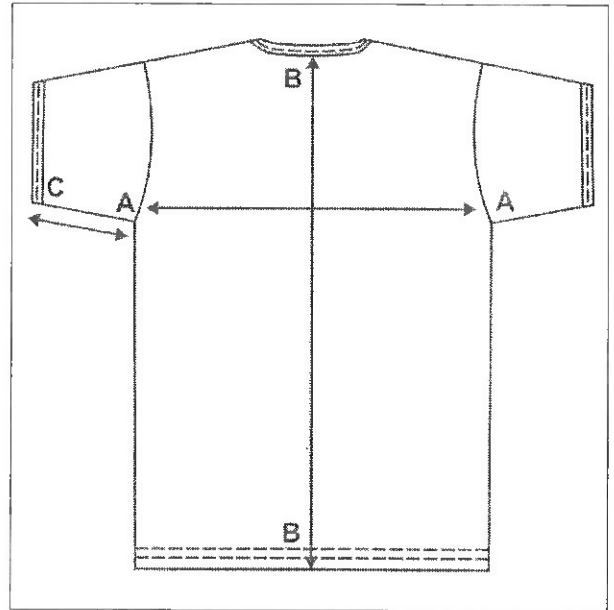
A handwritten signature in black ink, appearing to be 'M. Smith' or similar, written in a cursive style.



FRONT



BACK



OUTER FABRIC TO:

- ❖ BE AN ACCEPTABLE TUBULAR INTERLOCK FABRIC THAT COMPLIES WITH TYPE 165 OF SANS 750 "INTERLOCK FABRIC."
- ❖ COLOUR NO. 1c - 95 "WHITE" OF CKS 129 "COLOURS FOR TEXTILES."

STAY -TAPE

- ❖ SELF BODY FABRIC
- ❖ OF NOMINAL WIDTH 10mm

THREADS

- ❖ TO COMPLY WITH RELEVANT REQUIREMENTS OF SANS 1362 "SEWING THREADS"

SEWING THREAD

- ❖ POLYESTER-AND-COTTON CORE-SPUN
- ❖ TICKET NO. 120

MEASURING POINT		DESCRIPTION
A-A	CHEST CIRCUMFERENCE	MEASURE AT THE BASE OF THE SCYE, WITH GARMENT SPREAD COMPLETELY FLAT, AND MULTIPLY BY TWO.
B-B	BACK LENGTH	MEASURE FROM THE CENTRE BACK NECK SEAM TO THE BOTTOM EDGE OF THE GARMENT.
A-C	SLEEVE LENGTH	MEASURE ALONG THE UNDERARM FROM THE BASE OF THE SYCE TO THE BOTTOM EDGE OF THE CUFF.
D-D	NECK DROP (ROUND NECK)	MEASURE FROM THE TOP EDGE AT THE CENTRE BACK NECK POINT TO THE TOP EDGE AT THE CENTRE FRONT NECK POINT.

[Handwritten signature]
15/05/202

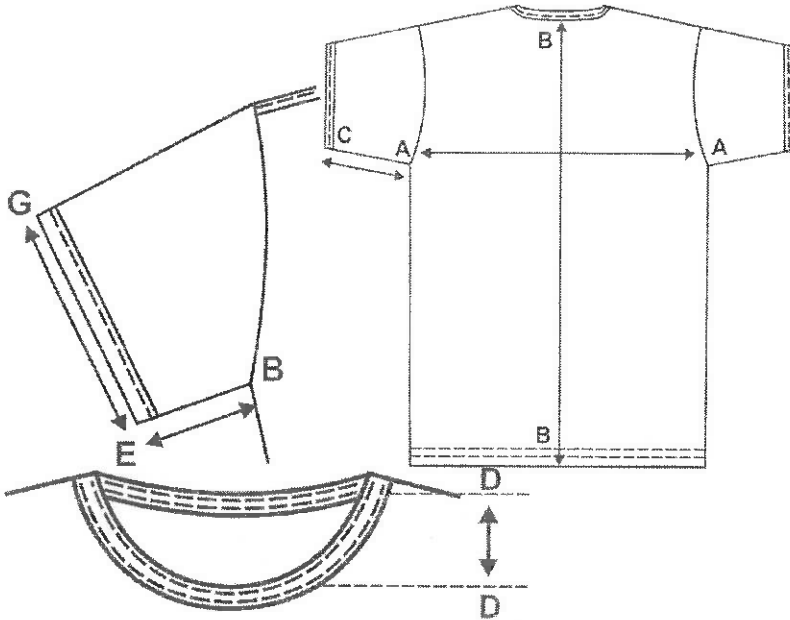


Table 1 - Size Chart					
1	2	3	4	5	6
National stock No.	Size designation	Nominal finished garment measurements,cm			
		Chest Circumference	Back length	Sleeve length (underarm)	Neck drop (round neck)
	X-Small (77-82)	80	72	13	7
	Small (87-92)	90	75	14	7
	Medium (97-102)	100	80	15	7
	Large (107-112)	110	82	16	7
	X-Large (117-122)	120	85	17	7

Handwritten signature
15/05/2024

BODY:

- ❖ CONSISTS OF A SINGLE PIECE OF TUBULAR KNITTED FABRIC (I.E. WITH NO SIDE SEAMS)
 - MAY BE CUT WITH SIDE SEAMS AND OVERLOCKED TOGETHER.
- ❖ BE SHAPED AT THE NECK, ARMHOLE AND SHOULDERS
 - SHOULDERS OVERLOCKED TOGETHER
 - SHOULDER SEAMS STAYED WITH STAY-TAPE
 - BE SEWN IN WITH THE SHOULDER SEAM
- ❖ HAVE A 20mm COVER STITCH BOTTOM HEM.

SLEEVE:

- ❖ BE SHORT SET-IN SLEEVES
- ❖ BE OVERLOCKED TO THE BODY AND AT THE UNDERARM
- ❖ BE BOUND AT THE CUFF EDGE



DISTRICT	NAME OF MORTUARY	ITEM	QUANTITY	SIZE.	
				Top	Pants
Amajuba	DANHAUSER MLM	Coverall two piece.	18	34 x 3	34 x 3
				38 x 6	36 x 3
				40 x 3	38 x 6
				42 x 3	42 x 3
				46 x 3	48 x 3
		T-SHIRTS	30	Medium x 5	
				Large x 10	
				X- large x 5	
				XX -Large x 5	
				XXX Large 5	
		Safety Shoes	6	Size 5 x 2	
				Size 7 x 3	
				Size 10 x 1	

Handwritten signature

TWO TONE RAINSUIT WITH SILVER TAPE



Product Code	Description	Fabric Specification	Tape Specification	Zip Specification	Printing Recommendation
RS2T	High Visibility Rainsuit Lime/Navy 125gsm ² (RWD150LN). Standard wash TS50 Silver Tape. The jacket includes a detachable lining and a hood in the collar. All seams are sealed to ensure that the garment is 100% waterproof. Level 3 Garment	125gsm ² 150D Oxford Fabric coated with Poly Urethane (RWD150LN) conforming to EN471 and SANS 50471 standard. Day Glow Yellow and Navy	TS50 WATT Silver Reflective Open Bead Tape 50mm Class 2 EN471 and SANS 50471. Standard wash 50 Cycles at 60°C	No 5 Spiral SABS 188:2011 Class 2	Personalised printing can be done if required. Proposed printing to be done in Silver Reflective, Black Reflective and Colour Flex Heat transfer, Silk Screen Printing and Embroidery

NB: Used by EMS and FORENSIC PATHOLOGY SERVICES

Handwritten signature and date: 28/05/18

RAINSUIT



KWAZULU-NATAL PROVINCE

HEALTH
REPUBLIC OF SOUTH AFRICA

DIRECTORATE:

Cnr King Dinuzulu and Princess Nandi Dr

Madadeni Section 6, Madadeni 2951

P/Bag x 6661 Newcastle 2940

Tel: 034 314 0010 Fax: 034 314 0010 Email: Mbele.Jeremia@kznhealth.gov.za

AMAJUBA DISTRICT FPS-
MADADENI MORTUARY

MADADENI FPS STAFF UNIFORM SIZES

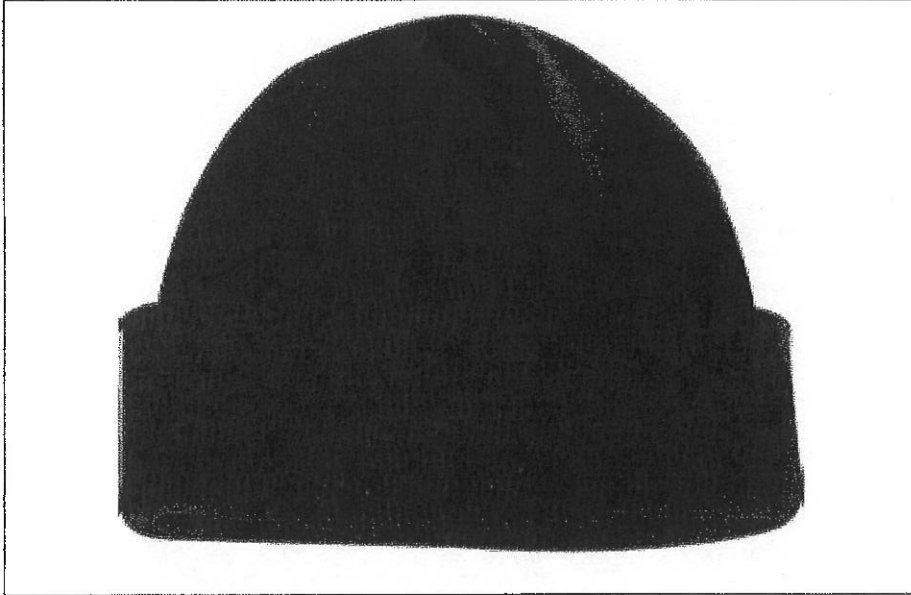
GENDER	TROUSERS	TOP
MALE	34	34
MALE	30	30
MALE	30	30
MALE	936	34
FEMALE	38	38
MALE	34	34
FEMALE	50	48
MALE	34	32
MALE	36	36
FEMALE	34	34
FEMALE	44	48
FEMALE	38	38
FEMALE	48	48
FEMALE	40	38
FEMALE	34	34
MALE	30	34
MALE	50	50
MALE	34	34

STYLE:

- ❖ FOLD UP BAND
- ❖ 170 GSM 100% ACRYLIC KNIT
- ❖ 10 GAUGE NEEDLE KNIT

Colour - BLUE

ONE SIZE FITS ALL



THREADS:

- ❖ TO COMPLY WITH RELEVANT REQUIREMENT OF SANS 1362 "SEWING THREADS"
- ❖ POLYESTER AND COTTON CORE SPUN OR STAPLE POLYESTER OF TICKET NO 120
- ❖ COLOUR TO BE AN ACCEPTABLE MATCH TO THE COLOUR OF THE OUTER FABRIC.

LABEL:

- ❖ WHITE WOVEN FABRIC LABEL THAT IS PRINTED-LOOP
- ❖ COMPLY WITH SANS 1309

EMBROIDERY/BADGE (RUBBERISED EMS BADGE)

THE REGISTERED KZN  EMBLEM SHALL BE EMBROIDERED/BADGE STITCH ON

FPS

CARE LABEL:

- ❖ LABEL TO INCLUDE COMPOSITION IN ACCORDANCE WITH THE REQUIREMENTS OF SANS 1023

Handwritten signature and date: 2024/07/04

EVALUATION CRITERIA over R50 000.

Proposals received shall be evaluated on the following.

1. Specification

Only offers that meet the specification in all aspects as stipulated in the bid document shall be considered. Offers better than specification are considered to be compliant with the specification.

2. Correctness of information

All information required in the bid document must be accurate and dully completion including all the appropriate signatures. This include the completion of documentation where required and the submission of required / requested documentation e.g. Valid Tax Certificate, etc. Able to adhere to time frame (delivery/service period must be clearly indicated). Please ensure samples of products submitted is of good quality and free from infestations (moth & food insects) and in sealed tins. The institution reserves the right to verify all information submitted.

3. Preferential Points System

3.1 The 80/20 preferential point system shall be used in the evaluation process

B-BBEE Status Level of contributor	Number of points (80/20 system company to ring their level)
1	20
2	18
3	16
4	12
5	8
6	6
7	4
8	2
Non-compliant contributor	0

4. Specific Goals

4.1 Over and above the following activities will be considered in the evaluation/ adjudication process.

4.2

- (i) Whether the quotation offers value for money
- (ii) Compulsory registration of the Provincial Suppliers Database
- (iii) SABS approved products
- (iv) As per specification/description
- (v) Sample to be submitted
- (vi) Verification the recommended bidder is not on the Register for tender defaulters
- (vii) Verification of the identity numbers of the directors/trustees/shareholders of the preferred bidder(s) against the institution's staff establishment in order to determine whether or not any of the directors/trustees/shareholders are in the service of the State or officials employed by specific institution

5. Execution Plan

- 5.1 If the bidder is a supplier not a manufacturer of the output tendered for, he/she must submit with the bid document on closing date and time of a bid, a guarantee from a manufacturer that support required to execute the contract will be successfully. Please attach a guarantee from a manufacturer as part of the bid document. **NB:** If you are manufacture or keeping the items/goods on the shelf, please attach the confirmation as a proof.

OR

If the bidder is a supplier (middle man) not keeping the product (item) directly on/in their shelves/shop, he or she must submit with the bid document on closing date and time of a bid, a guarantee letter from the supplier that support required to execute the contract will be successfully, a letter from the suppliers, a letter can include the product name and mention that item is fully compliant with specification . Please attach a letter from a supplier as part of the document.

This evaluation criteria is designed in such a way that responses would be required from the bidders, **NB:** Failure to submit the required documents(s) may invalidate the entire bid.

This evaluation criteria is designed in such a way that responses would be required from the bidders, **NB:** Failure to submit the required documents(s) may invalidate the entire bid.

**PLEASE SIGN AND RETURN THE EVALUATION CRITERIA WITH
THE QUOTATION FORM AND RELEVANT DOCUMENTS**

NAME & SURNAME

SIGNATURE