



Project

PHARMACY DETAIL

STANDARD SERVICE COUNTER

Drawn By:-

G.B.Pike (PrSArchT ST0997)
P.Bag x 9051
Pietermaritzburg
3200
Tel 083 4571199

Scale 1:20 Date:- December 2010

Signature

Drawing No.

10025H / 01- R1

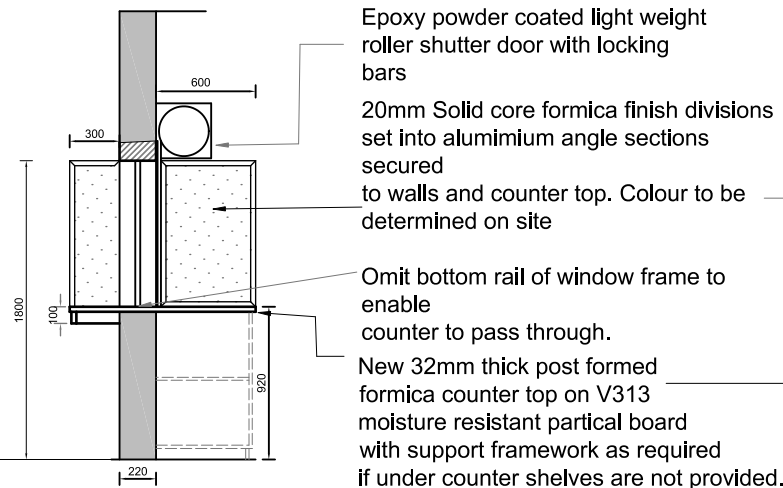
This drawing and design is copyright and must not be reproduced in part or in whole without prior written consent. Contractors must verify all dimensions on site before commencing work or preparing shop drawings.

All windows to be 880mm high x 600mm wide Aluminium double vertical sliding windows with locking mechanism.

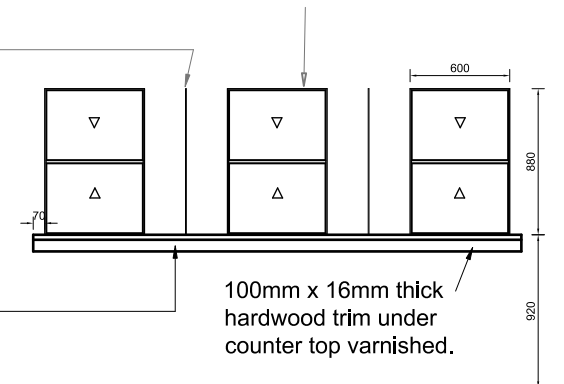
Glazing to be 6mm laminated safety glass.

Window sliders to be able to be lockable at various heights above counter top.

Omit bottom of frame and allow counter to pass through to avoid obstruction.



HATCH SECTION



EXTERNAL ELEVATION

Note:-
Provide one service counter for Paraplegic's at +/- 750mm high above floor level. Internal counter to be lowered over this area accordingly.

For multiple counters, provide numeral numbers above each window.